

HOMEA

PREMIUM

HOMEA

www.homea.mx

Email: **ventas@homea.mx**

Whatsapp: **(442)258.0251**

Tel: **(442)216.3552**

Lada sin Costo: **01(800)701.2121**

Dawn®

Kitchen & Bath Products, Inc.

Price Book 2022



Every Season. Every Day.

*El envío individual de accesorios tiene un costo de flete aparte.

TÉRMINOS Y CONDICIONES DE COMPRA

PAGOS.

- La orden de compra se dará como confirmada hasta recibir un anticipo y el cliente reciba confirmación de dicho pago.
- Una vez que se haya recibido la confirmación de sus pedidos por escrito, no se aceptan cambios o cancelaciones
- Para ordenes de producto especiales fuera de línea será necesario el pago del 100%.

DEVOLUCIONES.

- Toda la devolución debe tener una autorización previa por escrito por parte de LECROM.
- Únicamente se aceptan devoluciones de productos que manejamos de línea y bajo discreción de LECROM, quien se puede reservar el derecho a no aceptar la devolución.
- Es necesario que el producto a devolver se encuentre en perfecto estado, así como su empaque, es decir, en condiciones de venderse como producto nuevo.
- Toda devolución causará un 20% de cargo.
- Toda devolución debe ser hecha con flete pagado por quien lo envía y asumir el riesgo de envío; si el producto presenta algún daño, no se aceptará y por consiguiente no se emitirá ninguna nota de crédito.
- No se aceptan devoluciones después de 30 días de haber recibido el material.
- El equipo deberá revisarse en su parte estética en el momento de ser recibido, de lo contrario LECROM se deslinda de responsabilidad.

LOGÍSTICA

- El tiempo de entrega en equipos varía según disponibilidad de nuestros proveedores.
- Flete sin costo sin mínimo de compra para CDMX, Guadalajara y Monterrey.
- Para todos los demás destinos se cobra flete y este deberá ser pagado directamente por el cliente a la paquetería.
- Todas las entregas son en consolidado en horario abierto de lunes a viernes de 9:00 a 18:00hrs.
- HOMEA únicamente realizará entregas a pie de camión en tiendas, almacenes, fabrica, y domicilio de cliente final.
- No nos hacemos responsables por los riesgos del transporte, por lo que es necesario inspeccionar perfectamente la mercancía recibida, y en caso de ser necesaria, efectuar la reclamación con anotación en la guía y fotografías del daño.
- Solo en caso de que la mercancía recibida sea mayor a 10 piezas se otorgará un plazo de 48 horas para su reclamación.
- Para las recolecciones en el almacén de HOMEA, se requiere previa cita con 24 horas de anticipación, sin excepción.
- HOMEA se deslinda de responsabilidad sobre los equipos al momento de salir de sus instalaciones.
- Cualquier seguro para garantizar la integridad de los equipos, se cotiza por separado.
- En caso de no contratar seguro será bajo responsabilidad del cliente, HOMEA únicamente se compromete a proporcionar toda la información del envío para cualquier aclaración (evidencias y documentos de salida).

ALMACENAJE

- Una vez hecho el pedido, la mercancía será embarcada de inmediato cuando se encuentre en stock, en caso contrario, será embarcada cuando se reciba en nuestras bodegas, sin excepción alguna. De lo contrario, el equipo será liberado a la venta y HOMEA podrá disponer del mismo, por lo que el cliente queda sujeto a disponibilidad o en espera del próximo embarque sin fecha de compromiso para nueva entrega.
- Si el pedido no es entregado, ni tampoco requerido para venta por parte de HOMEA, se aplicará un costo de almacenaje de \$3,500 pesos + IVA por tarima mensual.

GARANTÍA

- Un año de garantía a partir de la fecha factura, siempre y cuando el equipo esté bien instalado.
- El costo por mano de obra de instalación está incluido en máquinas de hielo y dispensadores de cerveza únicamente.
- El cliente deberá pagar los viáticos del técnico en caso de que no existan técnicos autorizados en su ciudad.
- Los componentes electrónicos no entran dentro de la garantía si hubo cambio de voltaje
- Al momento del pago o anticipo de esta orden de compra el cliente acepta todas las condiciones arriba mencionadas sin excepción alguna.
- El cliente cuenta con 7 días calendario para revisar que la mercancía se recibió en buen estado, después de este tiempo no se aceptan reclamaciones y no habrá garantía por parte de HOMEA.

Flush Mount Apron Front Sinks

Model No. List Price Description

DAFF3026

Single Bowl with Straight Apron
Material: 304 Stainless Steel
Content: 18/8 Chrome-Nickel
Gauge: 18
Finish: Polished Satin
Size: 30" x 26" x 10"
Drain Opening: 3-1/2"
Undercoating: Padded
Cutout Template included
Limited Lifetime Warranty
Minimum Cabinet Size: 32"

Optional Accessories:

Utensil Shelf **T3026**
Size: 6-7/8" x 3" x 1-5/8"



Colander **COL710**
Size: 17-7/16" x 10" x 1-1/4"



Basket **BK3626**
Size: 7" x 7" x 3-1/8"



Tray **T710**
Size: 12-13/16" x 17-1/2" x 5"



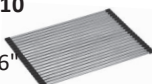
Cutting Board **CB710**
Size: 17-7/16" x 11-13/16" x 1-3/16"



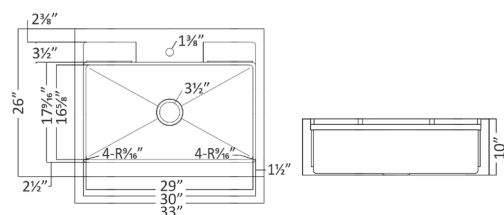
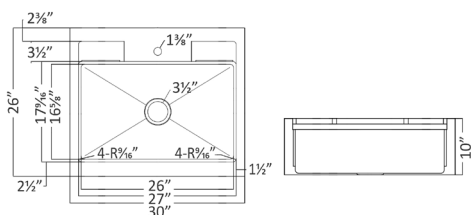
Strainer **SD-01** Size:
4-5/8" x 3-1/2"



Drain Mat **DM710**
Size: 17-5/16" x 12-3/16" x 5/16"



Strainer **SD-33**
Size: 4-1/2" x 3-15/16"



DAFF3326

Single Bowl with Straight Apron
Material: 304 Stainless Steel
Content: 18/8 Chrome-Nickel
Gauge: 18
Finish: Polished Satin
Size: 33" x 26" x 10"
Drain Opening: 3-1/2"
Undercoating: Padded
Cutout Template included
Limited Lifetime Warranty
Minimum Cabinet Size: 35"

Optional Accessories:

Utensil Shelf **T3326**
Size: 8-1/4" x 3" x 1-5/8"



Colander **COL710**
Size: 17-7/16" x 10" x 1-1/4"



Basket **BK3626**
Size: 7" x 7" x 3-1/8"



Tray **T710**
Size: 12-13/16" x 17-1/2" x 5"



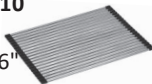
Cutting Board **CB710**
Size: 17-7/16" x 11-13/16" x 1-3/16"



Strainer **SD-01** Size:
4-5/8" x 3-1/2"



Drain Mat **DM710**
Size: 17-5/16" x 12-3/16" x 5/16"



Strainer **SD-33**
Size: 4-1/2" x 3-15/16"



Flush Mount Apron Front Sinks

Model No. List Price Description

DAFF3626

Single Bowl with Straight Apron
Material: 304 Stainless Steel
Content: 18/8 Chrome-Nickel
Gauge: 18
Finish: Polished Satin
Size: 36" x 26" x 10"
Drain Opening: 3-1/2"
Undercoating: Padded
Cutout Template included
Limited Lifetime Warranty
Minimum Cabinet Size: 38"

Optional Accessories:

Utensil Shelf **T3626**
Size: 10" x 3" x 1-5/8"



Colander **COL710**
Size: 17-7/16" x 10" x 1-1/4"



Basket **BK3626**
Size: 7" x 7" x 3-1/8"



Tray **T710**
Size: 12-13/16" x 17-1/2" x 5"



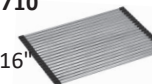
Cutting Board **CB710**
Size: 17-7/16" x 11-13/16" x 1-3/16"



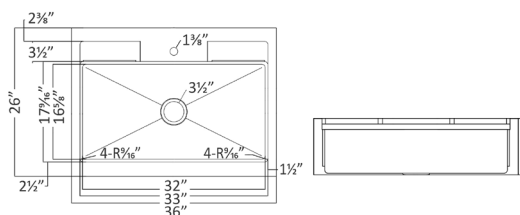
Strainer **SD-01** Size:
4-5/8" x 3-1/2"



Drain Mat **DM710**
Size: 17-5/16" x 12-3/16" x 5/16"



Strainer **SD-33**
Size: 4-1/2" x 3-15/16"



Flush Mount Apron Front Sinks

Model No. List Price Description



DAFF3026G
(with Black Glass Panel Decorated)

Single Bowl with Straight Apron
Material: 304 Stainless Steel
Content: 18/8 Chrome-Nickel
Gauge: 18
Finish: Polished Satin
Size: 30" x 26" x 10"
Drain Opening: 3-1/2"
Undercoating: Padded
Cutout Template included
Limited Lifetime Warranty
Minimum Cabinet Size: 32"

Optional Accessories:

Utensil Shelf **T3026**
Size: 6-7/8" x 3" x 1-5/8"



Colander **COL710**
Size: 17-7/16" x 10" x 1-1/4"



Basket **BK3626**
Size: 7" x 7" x 3-1/8"



Tray **T710**
Size: 12-13/16" x 17-1/2" x 5"



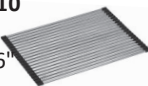
Cutting Board **CB710**
Size: 17-7/16" x 11-13/16" x 1-3/16"



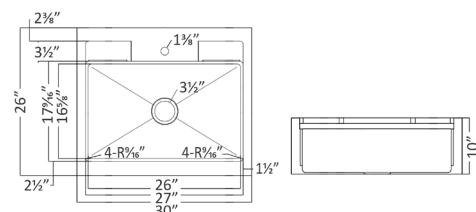
Strainer **SD-01** Size:
4-5/8" x 3-1/2"



Drain Mat **DM710**
Size: 17-5/16" x 12-3/16" x 5/16"



Strainer **SD-33**
Size: 4-1/2" x 3-15/16"



DAFF3326G
(with Black Glass Panel Decorated)

Single Bowl with Straight Apron
Material: 304 Stainless Steel
Content: 18/8 Chrome-Nickel
Gauge: 18
Finish: Polished Satin
Size: 33" x 26" x 10"
Drain Opening: 3-1/2"
Undercoating: Padded
Cutout Template included
Limited Lifetime Warranty
Minimum Cabinet Size: 35"

Optional Accessories:

Utensil Shelf **T3326**
Size: 8-1/4" x 3" x 1-5/8"



Colander **COL710**
Size: 17-7/16" x 10" x 1-1/4"



Basket **BK3626**
Size: 7" x 7" x 3-1/8"



Tray **T710**
Size: 12-13/16" x 17-1/2" x 5"



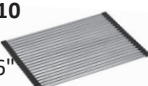
Cutting Board **CB710**
Size: 17-7/16" x 11-13/16" x 1-3/16"



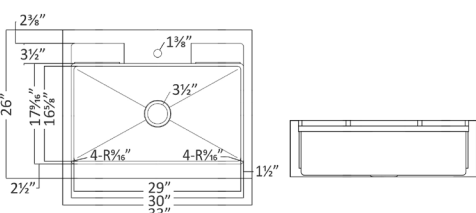
Strainer **SD-01** Size:
4-5/8" x 3-1/2"



Drain Mat **DM710**
Size: 17-5/16" x 12-3/16" x 5/16"



Strainer **SD-33**
Size: 4-1/2" x 3-15/16"



Flush Mount Apron Front Sinks

Model No. List Price Description



DAFF3626G
(with Black Glass Panel Decorated)

Single Bowl with Straight Apron
Material: 304 Stainless Steel
Content: 18/8 Chrome-Nickel
Gauge: 18
Finish: Polished Satin
Size: 36" x 26" x 10"
Drain Opening: 3-1/2"
Undercoating: Padded
Cutout Template included
Limited Lifetime Warranty
Minimum Cabinet Size: 38"

Optional Accessories:

Utensil Shelf **T3626**
Size: 10" x 3" x 1-5/8"



Colander **COL710**
Size: 17-7/16" x 10" x 1-1/4"



Basket **BK3626**
Size: 7" x 7" x 3-1/8"



Tray **T710**
Size: 12-13/16" x 17-1/2" x 5"



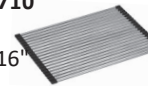
Cutting Board **CB710**
Size: 17-7/16" x 11-13/16" x 1-3/16"



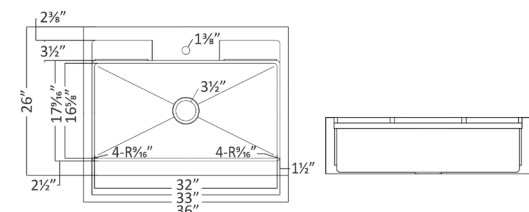
Strainer **SD-01** Size:
4-5/8" x 3-1/2"



Drain Mat **DM710**
Size: 17-5/16" x 12-3/16" x 5/16"



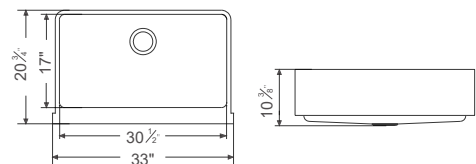
Strainer **SD-33**
Size: 4-1/2" x 3-15/16"



The innovation of our designs, reflect the concept of technology in modern living which create the most perfect functional kitchen sinks.

Undermount Apron Front Sinks

Model No. List Price Description



DAF3320

Single Bowl with Straight Apron
Material: 304 Stainless Steel
Content: 18/10 Chrome-Nickel
Gauge: 16
Finish: Polished Satin
Size: 33" x 20-3/4" x 10-3/8"
Drain Opening: 3-1/2"
Undercoating: Padded
Cutout Template included
Limited Lifetime Warranty
Minimum Cabinet Size: 35"

Optional Accessories:

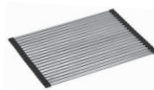
Cutting Board CB017

Size: 18-3/8" x 11-3/4" x 1-1/8"



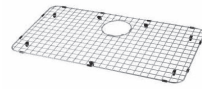
Drain Mat DM001

Size: 19-11/16" x 12" x 5/16"



Bottom Grid G031

Size: 28-5/8" x 15-1/4"



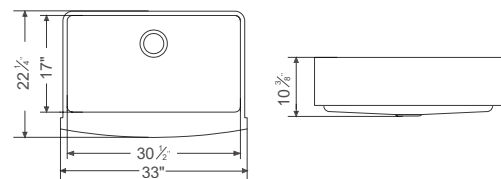
Strainer SD-01

Size: 4-5/8" x 3-1/2"



Strainer SD-33

Size: 4-1/2" x 3-15/16"



DAF3320C

Single Bowl with Curved Apron
Material: 304 Stainless Steel
Content: 18/10 Chrome-Nickel
Gauge: 16
Finish: Polished Satin
Size: 33" x 22-1/4" x 10-3/8"
Drain Opening: 3-1/2"
Undercoating: Padded
Cutout Template included
Limited Lifetime Warranty
Minimum Cabinet Size: 35"

Optional Accessories:

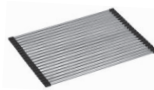
Cutting Board CB017

Size: 18-3/8" x 11-3/4" x 1-1/8"



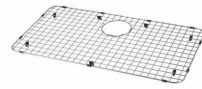
Drain Mat DM001

Size: 19-11/16" x 12" x 5/16"



Bottom Grid G031

Size: 28-5/8" x 15-1/4"



Strainer SD-01

Size: 4-5/8" x 3-1/2"



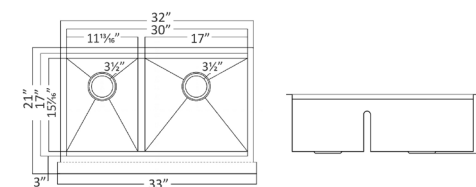
Strainer SD-33

Size: 4-1/2" x 3-15/16"



Undermount Apron Front Sinks

Model No. List Price Description



DAF3321L

Double Bowl with Straight Apron
Material: 304 Stainless Steel
Content: 18/10 Chrome-Nickel
Gauge: 18
Finish: Polished Satin
Size: 33" x 21" x 10"
Drain Opening: 3-1/2"
Undercoating: Padded
Cutout Template included
Limited Lifetime Warranty
Minimum Cabinet Size: 35"

Optional Accessories:

Cutting Board CB017

Size: 18-3/8" x 11-3/4" x 1-1/8"



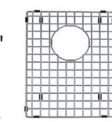
Colander COL018

Size: 16-3/4" x 9" x 4-3/4"



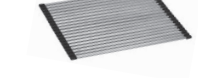
Bottom Grid G063

(Small Bowl)
Size: 11-3/8" x 15"



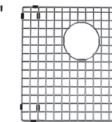
Drain Mat DM018

Size: 16-1/2" x 12-3/16" x 5/16"



Bottom Grid G064

(Large Bowl)
Size: 16-1/2" x 15"



Strainer SD-01

Size: 4-5/8" x 3-1/2"



Strainer SD-33

Size: 4-1/2" x 3-15/16"



Undermount Small Radius Sinks

Model No. List Price Description

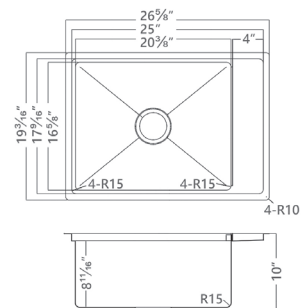
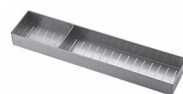


SRF251710
 Small Corner Radius Single Bowl
 Material: 304 Stainless Steel
 Content: 18/8 Chrome-Nickel
 Gauge: 18
 Finish: Polished Satin
 Size: 26-5/8" x 19-3/16" x 10"
 Drain Opening: 3-1/2"
 Undercoating: Padded
 Cutout Template included
 Limited Lifetime Warranty
 Minimum Cabinet Size: 28-5/8"

Optional Accessories:

Utensil Shelf **T321710**
 Size: 16-1/2" x 3-1/2" x 1-5/8"

Basket **BK321710**
 Size: 16-1/2" x 8-11/16" x 6"



Cutting Board **CB710**
 Size: 17-7/16" x 11-13/16" x 1-3/16"

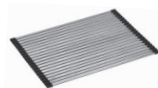
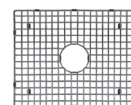
Premium Bottom Grid **G812**
 Size: 19-3/4" x 16-1/16"

Colander **COL710**
 Size: 17-7/16" x 10" x 1-1/4"

Tray **T710**
 Size: 12-13/16" x 17-1/2" x 5"

Drain Mat **DM710**
 Size: 17-5/16" x 12-3/16" x 5/16"

Strainer **SD-01**
 Size: 4-5/8" x 3-1/2"



Strainer **SD-33**
 Size: 4-1/2" x 3-15/16"

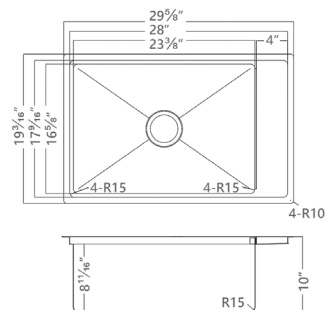
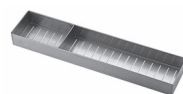


SRF281710
 Small Corner Radius Single Bowl
 Material: 304 Stainless Steel
 Content: 18/8 Chrome-Nickel
 Gauge: 18
 Finish: Polished Satin
 Size: 29-5/8" x 19-3/16" x 10"
 Drain Opening: 3-1/2"
 Undercoating: Padded
 Cutout Template included
 Limited Lifetime Warranty
 Minimum Cabinet Size: 31-5/8"

Optional Accessories:

Utensil Shelf **T321710**
 Size: 16-1/2" x 3-1/2" x 1-5/8"

Basket **BK321710**
 Size: 16-1/2" x 8-11/16" x 6"



Cutting Board **CB710**
 Size: 17-7/16" x 11-13/16" x 1-3/16"

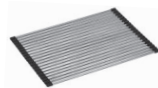
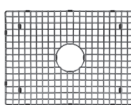
Premium Bottom Grid **G811**
 Size: 22-13/16" x 16-1/16"

Colander **COL710**
 Size: 17-7/16" x 10" x 1-1/4"

Tray **T710**
 Size: 12-13/16" x 17-1/2" x 5"

Drain Mat **DM710**
 Size: 17-5/16" x 12-3/16" x 5/16"

Strainer **SD-01**
 Size: 4-5/8" x 3-1/2"



Strainer **SD-33**
 Size: 4-1/2" x 3-15/16"

Undermount Small Radius Sinks

Model No. List Price Description

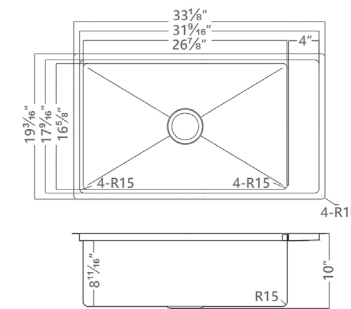
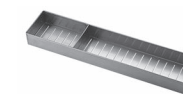


SRF321710
 Small Corner Radius Single Bowl
 Material: 304 Stainless Steel
 Content: 18/8 Chrome-Nickel
 Gauge: 18
 Finish: Polished Satin
 Size: 33-1/8" x 19-3/16" x 10"
 Drain Opening: 3-1/2"
 Undercoating: Padded
 Cutout Template included
 Limited Lifetime Warranty
 Minimum Cabinet Size: 35-1/8"

Optional Accessories:

Utensil Shelf **T321710**
 Size: 16-1/2" x 3-1/2" x 1-5/8"

Basket **BK321710**
 Size: 16-1/2" x 8-11/16" x 6"



Cutting Board **CB710**
 Size: 17-7/16" x 11-13/16" x 1-3/16"

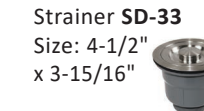
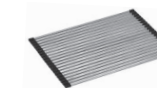
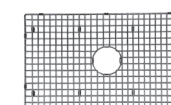
Premium Bottom Grid **G810**
 Size: 26-9/16" x 16-1/16"

Colander **COL710**
 Size: 17-7/16" x 10" x 1-1/4"

Tray **T710**
 Size: 12-13/16" x 17-1/2" x 5"

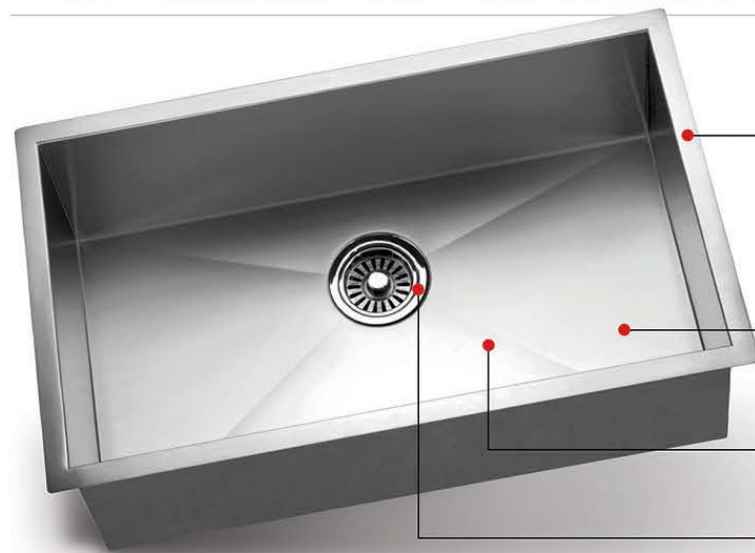
Drain Mat **DM710**
 Size: 17-5/16" x 12-3/16" x 5/16"

Strainer **SD-01**
 Size: 4-5/8" x 3-1/2"



Strainer **SD-33**
 Size: 4-1/2" x 3-15/16"





General Features:

- Premium grade of T-304 stainless steel, non-porous, hygienic, rust-free, and durable. 18/10 and 18/8 Chrome-Nickel content to provide luster, durability and strength.
- Elegant satin polished finish, creating an enduring luster resistant to water stains and calcium deposits.
- Gauge sizes vary in different sink models. We carry sinks in 16, 18, and 20 gauge (durable thick steel).
- Rear drain placement creates a more useable sink bottom.
- cUPC certified, ensuring all North American plumbing codes and the U.S. standards for strength and quality have been met.



Butt Welding: the joints on the sink rim are butt welded.



Grinding & Buffing: a grinding machine is used to grind and buff the sink to ensure an even surface and a fine, brushed finish.



Material Details:

- Sinks are equipped with sound absorption pads underneath the bowl to soften the noise of water dripping into the sink.
- Sound absorption pads to eliminate unwanted sounds (materials: rubber, asphalt, lime, and ecoglué).
- An environment-friendly layer of anti-seepage and anti-condensation coating to prevent water droplets forming when cold food is placed in the sink.



The materials used to manufacture the sound absorption pad are rubber, asphalt, lime, and ecoglué. There is a coat of glue on the bottom side of the pad which adheres to the back of the sink.



When applying the pad to the sink, a roller is used to flatten or even out the pad.

- Handcrafted Workmanship
- Quality Guaranteed
- Limited Lifetime Warranty

Undermount Small Radius Sinks

Model No. List Price Description

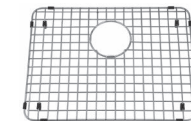


SRU201609-N

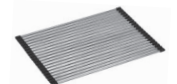
Small Corner Radius Single Bowl
Material: 304 Stainless Steel
Content: 18/10 Chrome-Nickel
Gauge: 18
Finish: Polished Satin
Size: 21-7/8" x 17-3/16" x 8-11/16"
Drain Opening: 3-1/2"
Undercoating: Padded
Cutout Template included
Limited Lifetime Warranty
Minimum Cabinet Size: 23-7/8"

Optional Accessories:

Bottom Grid **G080**
Size: 19-7/8" x 15-1/8"



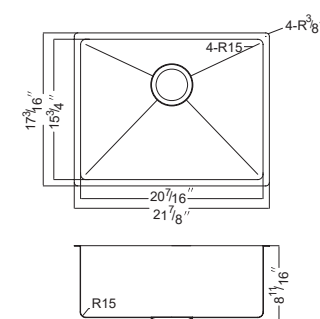
Drain Mat **DM001**
Size: 19-11/16" x 12" x 5/16"



Strainer **SD-01**
Size: 4-5/8" x 3-1/2"



Strainer **SD-33**
Size: 4-1/2" x 3-15/16"

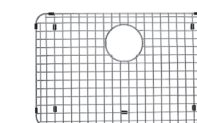


SRU251610-N

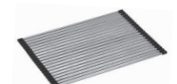
Small Corner Radius Single Bowl
Material: 304 Stainless Steel
Content: 18/10 Chrome-Nickel
Gauge: 18
Finish: Polished Satin
Size: 26-1/2" x 18" x 10"
Drain Opening: 3-1/2"
Undercoating: Padded
Cutout Template included
Limited Lifetime Warranty
Minimum Cabinet Size: 28-1/2"

Optional Accessories:

Bottom Grid **G610**
Size: 24-1/2" x 16"



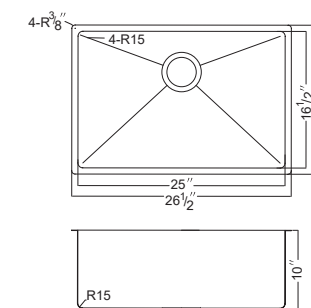
Drain Mat **DM001**
Size: 19-11/16" x 12" x 5/16"



Strainer **SD-01**
Size: 4-5/8" x 3-1/2"

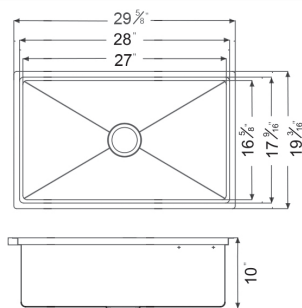


Strainer **SD-33**
Size: 4-1/2" x 3-15/16"



Undermount Small Radius Sinks

Model No. List Price Description



SRU281610

Small Corner Radius Single Bowl
Material: 304 Stainless Steel
Content: 18/10 Chrome-Nickel
Gauge: 18
Finish: Polished Satin
Size: 29-5/8" x 19-3/16" x 10"
Drain Opening: 3-1/2"
Undercoating: Padded
Cutout Template included
Limited Lifetime Warranty
Minimum Cabinet Size: 31-5/8"

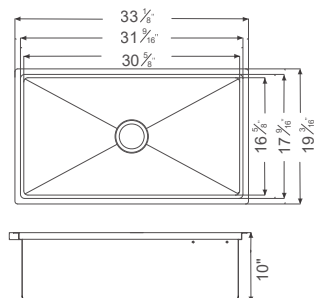
Included Accessory:

Basket **BK710**
Size: 7-13/16" x 4" x 3-1/8"



Optional Accessories:

- | | | | | | |
|---|---|--|---|--|---|
| Cutting Board CB710
Size: 17-7/16" x
11-13/16" x 1-3/16" | Premium Bottom Grid
G810 Size: 26-9/16"
x 16-1/16" | Colander COL710
Size: 17-7/16" x 10"
x 1-1/4" | Tray T710
Size: 12-13/16"
x 17-1/2" x 5" | Drain Mat DM710
Size: 17-5/16"
x 12-3/16" x 5/16" | Strainer SD-01
Size: 4-5/8"
x 3-1/2" |
| | | | | | |
| | | | | | Strainer SD-33
Size: 4-1/2"
x 3-15/16" |
| | | | | | |



SRU311710

Small Corner Radius Single Bowl
Material: 304 Stainless Steel
Content: 18/10 Chrome-Nickel
Gauge: 18
Finish: Polished Satin
Size: 33-1/8" x 19-13/16" x 10"
Drain Opening: 3-1/2"
Undercoating: Padded
Cutout Template included
Limited Lifetime Warranty
Minimum Cabinet Size: 35-1/8"

Included Accessory:

Basket **BK710**
Size: 7-13/16" x 4" x 3-1/8"



Optional Accessories:

- | | | | | | |
|---|--|--|---|--|---|
| Cutting Board CB710
Size: 17-7/16" x
11-13/16" x 1-3/16" | Premium Bottom Grid
G710 Size: 30-1/8" x
16-1/16" | Colander COL710
Size: 17-7/16" x 10"
x 1-1/4" | Tray T710
Size: 12-13/16"
x 17-1/2" x 5" | Drain Mat DM710
Size: 17-5/16"
x 12-3/16" x 5/16" | Strainer SD-01
Size: 4-5/8"
x 3-1/2" |
| | | | | | |
| | | | | | Strainer SD-33
Size: 4-1/2"
x 3-15/16" |
| | | | | | |



Undermount Small Radius Sinks

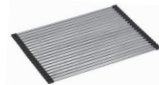
Model No. List Price Description



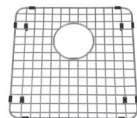
SRU301616L-N
 Small Corner Radius Double Bowl (Small Bowl on Left)
 Material: 304 Stainless Steel
 Content: 18/10 Chrome-Nickel
 Gauge: 18
 Finish: Polished Satin
 Size: 31-7/8" x 17-3/16" x 9"
 Drain Opening: 3-1/2"
 Undercoating: Padded
 Cutout Template included
 Limited Lifetime Warranty
 Minimum Cabinet Size: 33-7/8"

Optional Accessories:

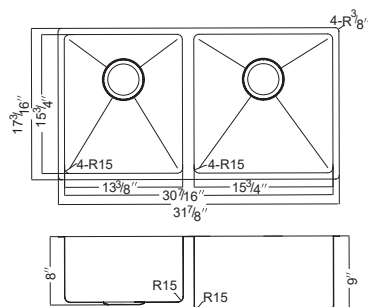
Bottom Grid **G082** (Small Bowl) Size: 12-7/8" x 15-1/4"
 Drain Mat **DM001** Size: 19-11/16" x 12" x 5/16"



Bottom Grid **G083** (Large Bowl) Size: 15-1/4" x 15-1/4"
 Strainer **SD-01** Size: 4-5/8" x 3-1/2"



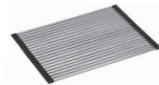
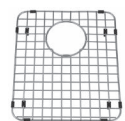
Strainer **SD-33** Size: 4-1/2" x 3-15/16"



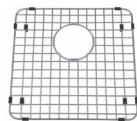
SRU301616R-N
 Small Corner Radius Double Bowl (Small Bowl on Right)
 Material: 304 Stainless Steel
 Content: 18/10 Chrome-Nickel
 Gauge: 18
 Finish: Polished Satin
 Size: 31-7/8" x 17-3/16" x 9"
 Drain Opening: 3-1/2"
 Undercoating: Padded
 Cutout Template included
 Limited Lifetime Warranty
 Minimum Cabinet Size: 33-7/8"

Optional Accessories:

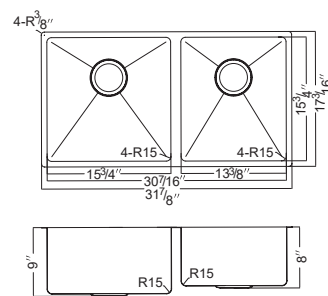
Bottom Grid **G082** (Small Bowl) Size: 12-7/8" x 15-1/4"
 Drain Mat **DM001** Size: 19-11/16" x 12" x 5/16"



Bottom Grid **G083** (Large Bowl) Size: 15-1/4" x 15-1/4"
 Strainer **SD-01** Size: 4-5/8" x 3-1/2"



Strainer **SD-33** Size: 4-1/2" x 3-15/16"



Undermount Small Radius Sinks

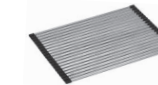
Model No. List Price Description



SRU311317L
 Small Corner Radius Double Bowl (Small Bowl on Left)
 Material: 304 Stainless Steel
 Content: 18/10 Chrome-Nickel
 Gauge: 18
 Finish: Polished Satin
 Size: 33" x 18-1/2" x 10"
 Drain Opening: 3-1/2"
 Undercoating: Padded
 Cutout Template included
 Limited Lifetime Warranty
 Minimum Cabinet Size: 35"

Optional Accessories:

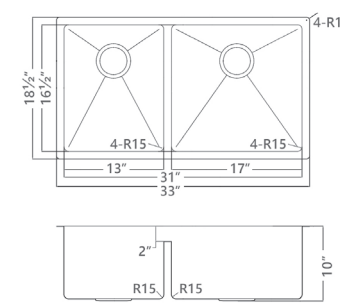
Cutting Board **CB019** Size: 18-3/8" x 11-3/4" x 1-1/8"
 Drain Mat **DM001** Size: 19-11/16" x 12" x 5/16"



Strainer **SD-01** Size: 4-5/8" x 3-1/2"



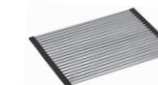
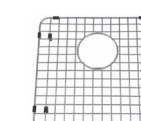
Strainer **SD-33** Size: 4-1/2" x 3-15/16"



SRU331616-N
 Small Corner Radius Double Bowl (Equal Double Bowl)
 Material: 304 Stainless Steel
 Content: 18/10 Chrome-Nickel
 Gauge: 18
 Finish: Polished Satin
 Size: 34-3/16" x 17-3/16" x 9"
 Drain Opening: 3-1/2"
 Undercoating: Padded
 Cutout Template included
 Limited Lifetime Warranty
 Minimum Cabinet Size: 36-3/16"

Optional Accessories:

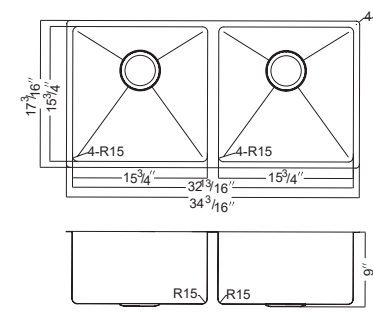
Bottom Grid **G083** Size: 15-1/4" x 15-1/4"
 Drain Mat **DM001** Size: 19-11/16" x 12" x 5/16"



Strainer **SD-01** Size: 4-5/8" x 3-1/2"



Strainer **SD-33** Size: 4-1/2" x 3-15/16"



Undermount Extra Small Radius Sinks

Model No. List Price Description

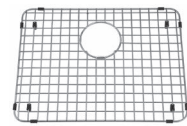


XSR201609

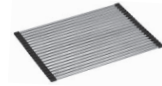
Extra Small Corner Radius Single Bowl
 Material: 304 Stainless Steel
 Content: 18/8 Chrome-Nickel
 Gauge: 16
 Finish: Polished Satin
 Size: 21-7/8" x 17-3/16" x 8-11/16"
 Drain Opening: 3-1/2"
 Undercoating: Padded
 Cutout Template included
 Limited Lifetime Warranty
 Minimum Cabinet Size: 23-7/8"

Optional Accessories:

Bottom Grid **G080**
 Size: 19-7/8" x 15-1/8"



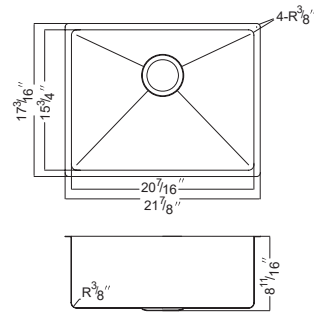
Drain Mat **DM001**
 Size: 19-11/16" x 12" x 5/16"



Strainer **SD-01**
 Size: 4-5/8" x 3-1/2"



Strainer **SD-33**
 Size: 4-1/2" x 3-15/16"

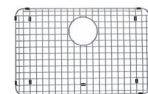


XSR251610

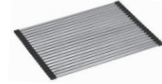
Extra Small Corner Radius Single Bowl
 Material: 304 Stainless Steel
 Content: 18/8 Chrome-Nickel
 Gauge: 16
 Finish: Polished Satin
 Size: 26-1/2" x 18" x 10"
 Drain Opening: 3-1/2"
 Undercoating: Padded
 Cutout Template included
 Limited Lifetime Warranty
 Minimum Cabinet Size: 28-1/2"

Optional Accessories:

Bottom Grid **G610**
 Size: 24-1/2" x 16"



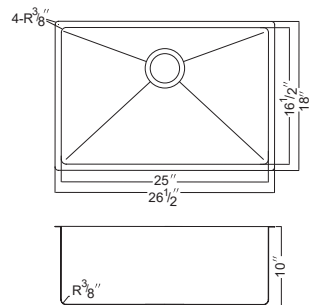
Drain Mat **DM001**
 Size: 19-11/16" x 12" x 5/16"



Strainer **SD-01**
 Size: 4-5/8" x 3-1/2"



Strainer **SD-33**
 Size: 4-1/2" x 3-15/16"



Undermount Extra Small Radius Sinks

Model No. List Price Description

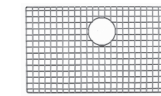


XSR281610

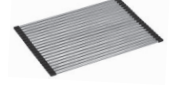
Extra Small Corner Radius Single Bowl
 Material: 304 Stainless Steel
 Content: 18/8 Chrome-Nickel
 Gauge: 16
 Finish: Polished Satin
 Size: 29-1/2" x 18" x 10"
 Drain Opening: 3-1/2"
 Undercoating: Padded
 Cutout Template included
 Limited Lifetime Warranty
 Minimum Cabinet Size: 31-1/2"

Optional Accessories:

Premium Bottom Grid **G061**
 Size: 27-5/8" x 15-9/16"



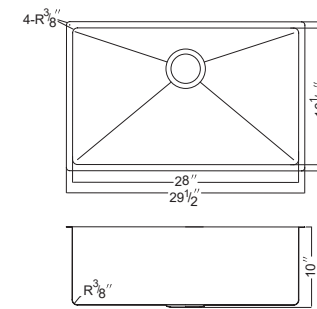
Drain Mat **DM001**
 Size: 19-11/16" x 12" x 5/16"



Strainer **SD-01**
 Size: 4-5/8" x 3-1/2"



Strainer **SD-33**
 Size: 4-1/2" x 3-15/16"

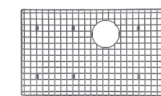


XSR311610

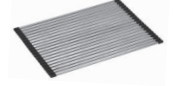
Extra Small Corner Radius Single Bowl
 Material: 304 Stainless Steel
 Content: 18/8 Chrome-Nickel
 Gauge: 16
 Finish: Polished Satin
 Size: 32-1/2" x 18" x 10"
 Drain Opening: 3-1/2"
 Undercoating: Padded
 Cutout Template included
 Limited Lifetime Warranty
 Minimum Cabinet Size: 34-1/2"

Optional Accessories:

Premium Bottom Grid **G060**
 Size: 30-5/8" x 15-9/16"



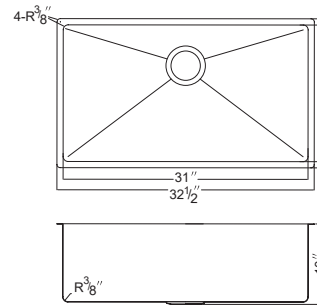
Drain Mat **DM001**
 Size: 19-11/16" x 12" x 5/16"



Strainer **SD-01**
 Size: 4-5/8" x 3-1/2"



Strainer **SD-33**
 Size: 4-1/2" x 3-15/16"



Undermount Extra Small Radius Sinks

Model No. List Price Description

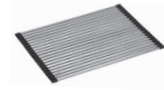


XSR311816L

Extra Small Corner Radius Double Bowl (Small Bowl on Left)
 Material: 304 Stainless Steel
 Content: 18/8 Chrome-Nickel
 Gauge: 16
 Finish: Polished Satin
 Size: 33" x 20-1/2" x 10-1/2"
 Drain Opening: 3-1/2"
 Undercoating: Padded
 Cutout Template included
 Limited Lifetime Warranty
 Minimum Cabinet Size: 35"

Optional Accessories:

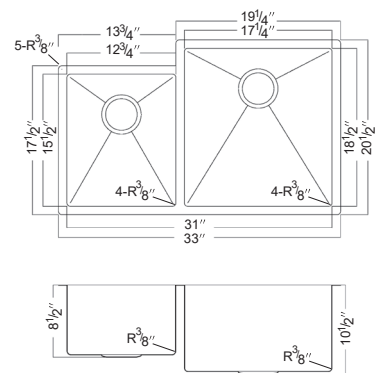
Drain Mat **DM001**
 Size: 19-11/16" x 12" x 5/16"



Strainer **SD-01**
 Size: 4-5/8" x 3-1/2"



Strainer **SD-33**
 Size: 4-1/2" x 3-15/16"

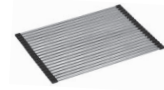


XSR311816R

Extra Small Corner Radius Double Bowl (Small Bowl on Right)
 Material: 304 Stainless Steel
 Content: 18/8 Chrome-Nickel
 Gauge: 16
 Finish: Polished Satin
 Size: 33" x 20-1/2" x 10-1/2"
 Drain Opening: 3-1/2"
 Undercoating: Padded
 Cutout Template included
 Limited Lifetime Warranty
 Minimum Cabinet Size: 35"

Optional Accessories:

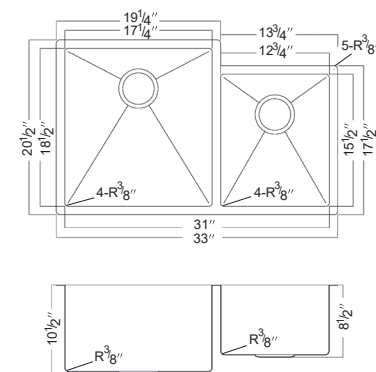
Drain Mat **DM001**
 Size: 19-11/16" x 12" x 5/16"



Strainer **SD-01**
 Size: 4-5/8" x 3-1/2"



Strainer **SD-33**
 Size: 4-1/2" x 3-15/16"



Undermount Extra Small Radius Sinks

Model No. List Price Description

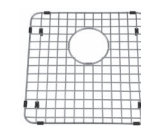


XSR321616

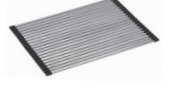
Extra Small Corner Radius Double Bowl (Equal Double Bowl)
 Material: 304 Stainless Steel
 Content: 18/8 Chrome-Nickel
 Gauge: 16
 Finish: Polished Satin
 Size: 34-3/16" x 17-3/16" x 9"
 Drain Opening: 3-1/2"
 Undercoating: Padded
 Cutout Template included
 Limited Lifetime Warranty
 Minimum Cabinet Size: 36-3/16"

Optional Accessories:

Bottom Grid **G083**
 Size: 15-1/4" x 15-1/4"



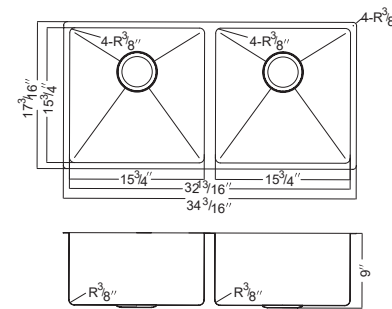
Drain Mat **DM001**
 Size: 19-11/16" x 12" x 5/16"



Strainer **SD-01**
 Size: 4-5/8" x 3-1/2"



Strainer **SD-33**
 Size: 4-1/2" x 3-15/16"



Undermount Extra Small Radius Sinks

Model No. List Price Description

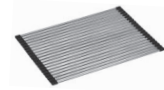


XSR421610

Extra Small Corner Radius
Single Bowl
Material: 304 Stainless Steel
Content: 18/8 Chrome-Nickel
Gauge: 16
Finish: Polished Satin
Size: 44" x 18-1/2" x 10"
Drain Opening: 3-1/2"
Undercoating: Padded
Cutout Template included
Limited Lifetime Warranty
Minimum Cabinet Size: 46"

Optional Accessories:

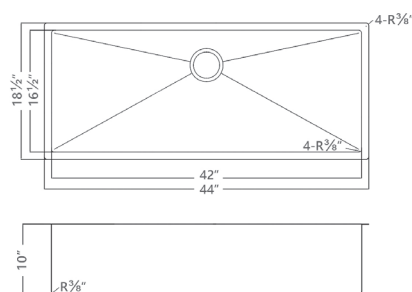
Drain Mat **DM001**
Size: 19-11/16" x 12" x 5/16"



Strainer **SD-01**
Size: 4-5/8" x 3-1/2"



Strainer **SD-33**
Size: 4-1/2" x 3-15/16"

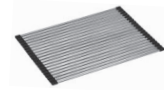


XSR421616

Extra Small Corner Radius
Equal Bowl
Material: 304 Stainless Steel
Content: 18/8 Chrome-Nickel
Gauge: 16
Finish: Polished Satin
Size: 44" x 18-1/2" x 10"
Drain Opening: 3-1/2"
Undercoating: Padded
Cutout Template included
Limited Lifetime Warranty
Minimum Cabinet Size: 46"

Optional Accessories:

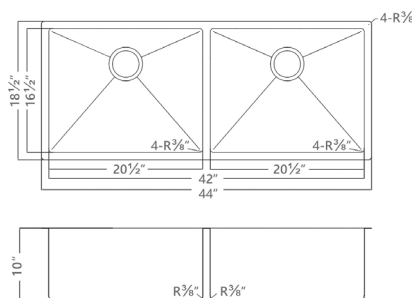
Drain Mat **DM001**
Size: 19-11/16" x 12" x 5/16"



Strainer **SD-01**
Size: 4-5/8" x 3-1/2"



Strainer **SD-33**
Size: 4-1/2" x 3-15/16"



Undermount Square Sinks

Model No. List Price Description

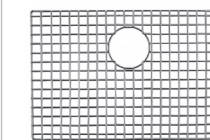


DSQ241607

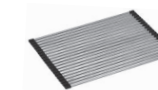
Square Single Bowl Sink
Material: 304 Stainless Steel
Content: 18/10 Chrome-Nickel
Gauge: 18
Finish: Polished Satin
Size: 26" x 18" x 7"
Drain Opening: 3-1/2"
Undercoating: Padded
Cutout Template included
Limited Lifetime Warranty
Minimum Cabinet Size: 28"

Optional Accessories:

Premium Bottom Grid **G062**
Size: 23-9/16" x 15-9/16"



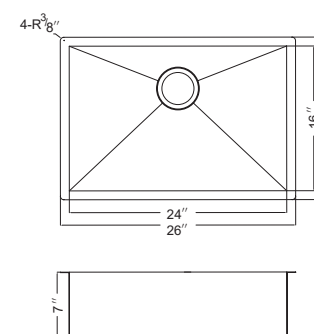
Drain Mat **DM001**
Size: 19-11/16" x 12" x 5/16"



Strainer **SD-01**
Size: 4-5/8" x 3-1/2"



Strainer **SD-33**
Size: 4-1/2" x 3-15/16"

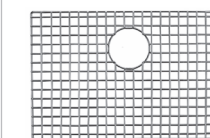


DSQ241609

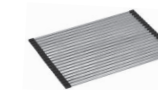
Square Single Bowl Sink
Material: 304 Stainless Steel
Content: 18/10 Chrome-Nickel
Gauge: 18
Finish: Polished Satin
Size: 26" x 18" x 9"
Drain Opening: 3-1/2"
Undercoating: Padded
Cutout Template included
Limited Lifetime Warranty
Minimum Cabinet Size: 28"

Optional Accessories:

Premium Bottom Grid **G062**
Size: 23-9/16" x 15-9/16"



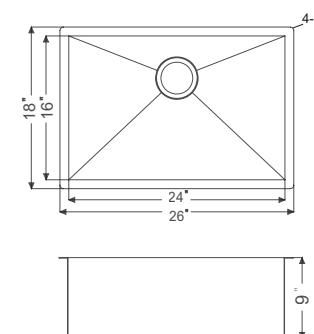
Drain Mat **DM001**
Size: 19-11/16" x 12" x 5/16"



Strainer **SD-01**
Size: 4-5/8" x 3-1/2"



Strainer **SD-33**
Size: 4-1/2" x 3-15/16"



Undermount Square Sinks

Model No. List Price Description

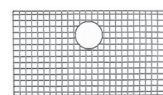


DSQ2816

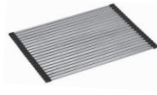
Square Single Bowl Sink
 Material: 304 Stainless Steel
 Content: 18/10 Chrome-Nickel
 Gauge: 18
 Finish: Polished Satin
 Size: 30" x 18" x 10"
 Drain Opening: 3-1/2"
 Undercoating: Padded
 Cutout Template included
 Limited Lifetime Warranty
 Minimum Cabinet Size: 32"

Optional Accessories:

Premium Bottom Grid **G061**
 Size: 27-5/8" x 15-9/16"



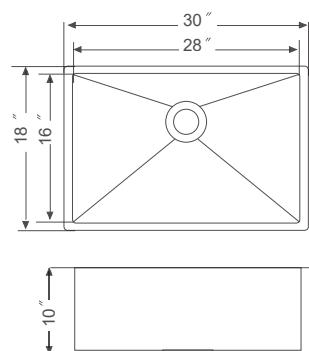
Drain Mat **DM001**
 Size: 19-11/16" x 12" x 5/16"



Strainer **SD-01**
 Size: 4-5/8" x 3-1/2"



Strainer **SD-33**
 Size: 4-1/2" x 3-15/16"



DUAL MOUNT

DSQ2817

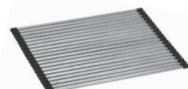
Square Single Bowl Sink
 Dual Mount
 Material: 304 Stainless Steel
 Content: 18/10 Chrome-Nickel
 Gauge: 18
 Finish: Polished Satin
 Size: 30-3/4" x 18-7/8" x 9-1/2"
 Drain Opening: 3-1/2"
 Undercoating: Padded
 Cutout Template included
 Limited Lifetime Warranty
 Minimum Cabinet Size: 32-3/4"

Optional Accessories:

Cutting Board **CB017**
 Size: 18-3/8" x 11-3/4" x 1-1/8"



Drain Mat **DM018**
 Size: 16-1/2" x 12-3/16" x 5/16"



Colander **COL018**
 Size: 16-3/4" x 9" x 4-3/4"



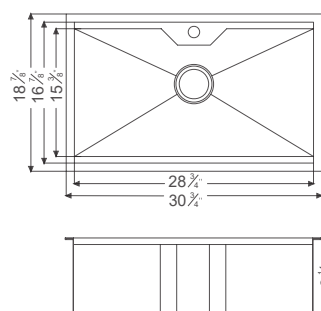
Strainer **SD-01**
 Size: 4-5/8" x 3-1/2"



Tray **T817**
 Size: 16-3/4" x 11" x 5-3/8"



Strainer **SD-33**
 Size: 4-1/2" x 3-15/16"



Undermount Square Sinks

Model No. List Price Description



DUAL MOUNT

DSQ2917

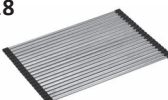
Square Single Bowl Sink
Dual Mount
Material: 304 Stainless Steel
Content: 18/10 Chrome-Nickel
Gauge: 18
Finish: Polished Satin
Size: 31-1/2" x 18-7/8" x 10"
Drain Opening: 3-1/2"
Undercoating: Padded
Cutout Template included
Limited Lifetime Warranty
Minimum Cabinet Size: 33-1/2"

Optional Accessories:

Cutting Board **CB017**
Size: 18-3/8" x 11-3/4" x 1-1/8"



Drain Mat **DM018**
Size: 16-1/2" x 12-3/16" x 5/16"



Colander **COL018**
Size: 16-3/4" x 9" x 4-3/4"



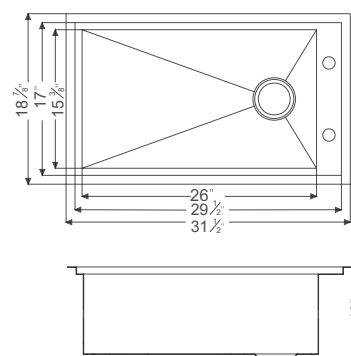
Strainer **SD-01**
Size: 4-5/8" x 3-1/2"



Tray **T917**
Size: 16-3/4" x 11" x 5-1/8"



Strainer **SD-33**
Size: 4-1/2" x 3-15/16"

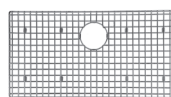


DSQ3116

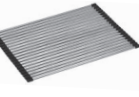
Square Single Bowl Sink
Material: 304 Stainless Steel
Content: 18/10 Chrome-Nickel
Gauge: 18
Finish: Polished Satin
Size: 33" x 18" x 10-1/2"
Drain Opening: 3-1/2"
Undercoating: Padded
Cutout Template included
Limited Lifetime Warranty
Minimum Cabinet Size: 35"

Optional Accessories:

Premium Bottom Grid **G060**
Size: 30-5/8" x 15-9/16"



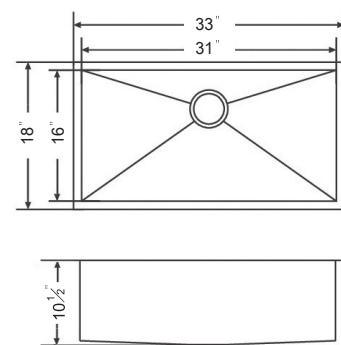
Drain Mat **DM001**
Size: 19-11/16" x 12" x 5/16"



Strainer **SD-01**
Size: 4-5/8" x 3-1/2"



Strainer **SD-33**
Size: 4-1/2" x 3-15/16"



Undermount Square Sinks

Model No. List Price Description

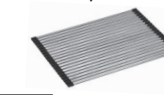


DSQ271616

Square Equal Double Bowl Sink
Material: 304 Stainless Steel
Content: 18/10 Chrome-Nickel
Gauge: 18
Finish: Polished Satin
Size: 29" x 18" x 10"
Drain Opening: 3-1/2"
Undercoating: Padded
Cutout Template included
Limited Lifetime Warranty
Minimum Cabinet Size: 31"

Optional Accessories:

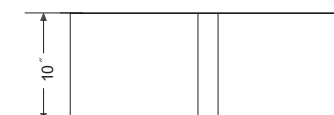
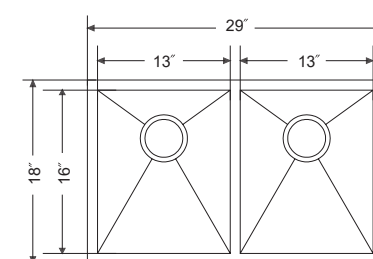
Drain Mat **DM001**
Size: 19-11/16" x 12" x 5/16"



Strainer **SD-01**
Size: 4-5/8" x 3-1/2"



Strainer **SD-33**
Size: 4-1/2" x 3-15/16"





Undermount Square Sinks

Model No. List Price Description

DSQ301515



Square Double Bowl Sink (Small Bowl on Left)
Material: 304 Stainless Steel
Content: 18/10 Chrome-Nickel
Gauge: 18
Finish: Polished Satin
Size: 32" x 19" x 10"
Drain Opening: 3-1/2"
Undercoating: Padded
Cutout Template included
Limited Lifetime Warranty
Minimum Cabinet Size: 34"

Optional Accessories:

Cutting Board **CB017**

Size: 18-3/8" x 11-3/4" x 1-1/8"



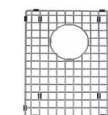
Colander **COL018**

Size: 16-3/4" x 9" x 4-3/4"



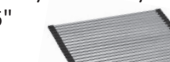
Bottom Grid **G063**

(Small Bowl) Size: 11-3/8" x 15"



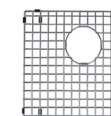
Drain Mat **DM018**

Size: 16-1/2" x 12-3/16" x 5/16"



Bottom Grid **G064**

(Large Bowl) Size: 16-1/2" x 15"



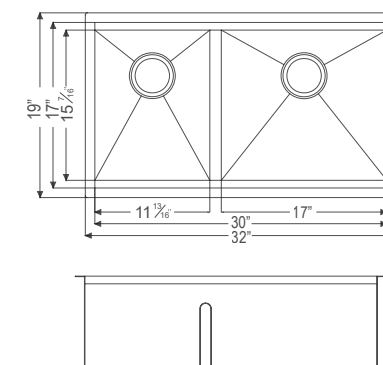
Strainer **SD-01**

Size: 4-5/8" x 3-1/2"



Strainer **SD-33**

Size: 4-1/2" x 3-15/16"



DSQD301610



Square Single Bowl Sink
Material: 304 Stainless Steel
Content: 18/10 Chrome-Nickel
Gauge: 18
Finish: Polished Satin
Size: 32" x 18-7/8" x 10-1/2"
Drain Opening: 3-1/2"
Undercoating: Padded
Cutout Template included
Limited Lifetime Warranty
Minimum Cabinet Size: 34"

Included Accessory:

Filter Board **DB301610** (x2)

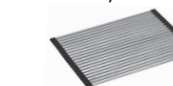
Size: 15" x 5-3/4" x 3/4"



Optional Accessories:

Drain Mat **DM001**

Size: 19-11/16" x 12" x 5/16"



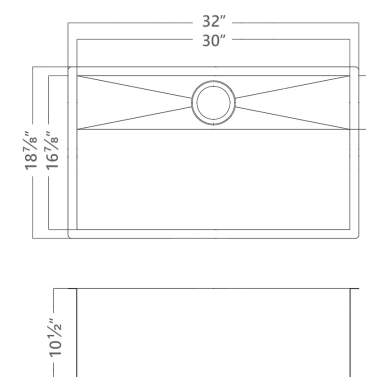
Strainer **SD-01**

Size: 4-5/8" x 3-1/2"



Strainer **SD-33**

Size: 4-1/2" x 3-15/16"



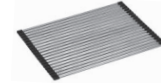
Undermount Square Sinks Model No. List Price Description



DSQ311815L
 Square Double Bowl Sink
 (Small Bowl on Left)
 Material: 304 Stainless Steel
 Content: 18/10 Chrome-Nickel
 Gauge: 18
 Finish: Polished Satin
 Size: 33" x 20-1/2" x 10-1/2"(B),
 8-1/2(S)
 Drain Opening: 3-1/2"
 Undercoating: Padded
 Cutout Template included
 Limited Lifetime Warranty
 Minimum Cabinet Size: 35"

Optional Accessories:

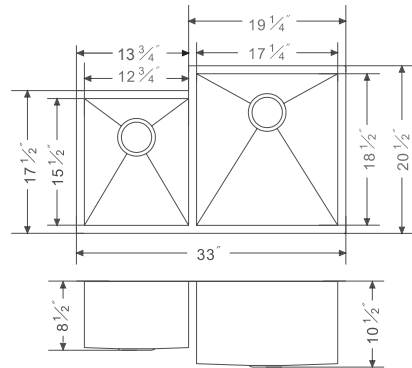
Drain Mat DM001
 Size: 19-11/16" x 12" x 5/16"



Strainer SD-01
 Size: 4-5/8" x 3-1/2"



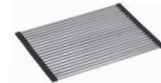
Strainer SD-33
 Size: 4-1/2" x 3-15/16"



DSQ311815R
 Square Double Bowl Sink
 (Small Bowl on Right)
 Material: 304 Stainless Steel
 Content: 18/10 Chrome-Nickel
 Gauge: 18
 Finish: Polished Satin
 Size: 33" x 20-1/2" x 10-1/2"(B),
 8-1/2(S)
 Drain Opening: 3-1/2"
 Undercoating: Padded
 Cutout Template included
 Limited Lifetime Warranty
 Minimum Cabinet Size: 35"

Optional Accessories:

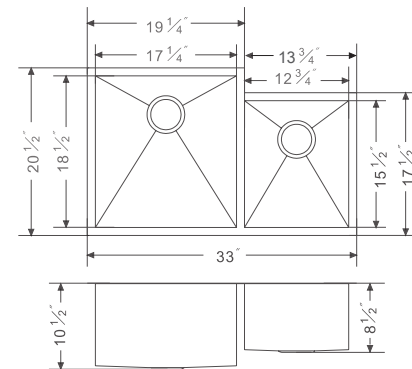
Drain Mat DM001
 Size: 19-11/16" x 12" x 5/16"



Strainer SD-01
 Size: 4-5/8" x 3-1/2"



Strainer SD-33
 Size: 4-1/2" x 3-15/16"



Undermount DSU Sinks Model No. List Price Description



DSU1916
 Single Bowl Sink
 Material: 304 Stainless Steel
 Content: 18/10 Chrome-Nickel
 Gauge: 16
 Finish: Polished Satin
 Size: 21-1/16" x 18-1/8" x 10"
 Drain Opening: 3-1/2"
 Undercoating: Padded
 Cutout Template included
 Limited Lifetime Warranty
 Minimum Cabinet Size: 23-1/16"

Optional Accessories:

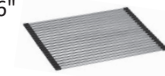
Bottom Grid G038 List \$100
 Size: 17-1/2" x 14-1/2"



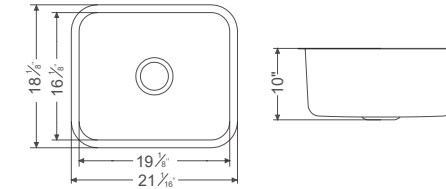
Strainer SD-01
 Size: 4-5/8" x 3-1/2"



Drain Mat DM001
 Size: 19-11/16" x 12" x 5/16"



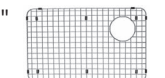
Strainer SD-33
 Size: 4-1/2" x 3-15/16"



DSU2517
 Single Bowl with Small Corner
 Radius and Rear Corner Drain
 Material: 304 Stainless Steel
 Content: 18/10 Chrome-Nickel
 Gauge: 16
 Finish: Polished Satin
 Size: 26-1/2" x 18" x 10-1/2"
 Drain Opening: 3-1/2"
 Undercoating: Padded
 Cutout Template included
 Limited Lifetime Warranty
 Minimum Cabinet Size: 28-1/2"

Optional Accessories:

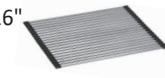
Bottom Grid G517
 Size: 23-7/16" x 15"



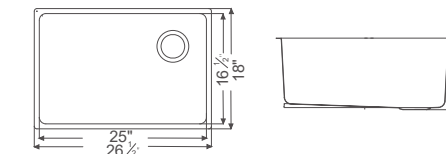
Strainer SD-01
 Size: 4-5/8" x 3-1/2" L



Drain Mat DM001
 Size: 19-11/16" x 12" x 5/16"



Strainer SD-33
 Size: 4-1/2" x 3-15/16"



DSU3017
 Single Bowl with Small Corner
 Radius
 Material: 304 Stainless Steel
 Content: 18/10 Chrome-Nickel
 Gauge: 16
 Finish: Polished Satin
 Size: 32" x 18-1/2" x 10-3/8"
 Drain Opening: 3-1/2"
 Undercoating: Padded
 Cutout Template included
 Limited Lifetime Warranty
 Minimum Cabinet Size: 34"

Optional Accessories:

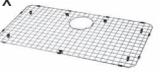
Cutting Board CB017
 Size: 18-3/8" x 11-3/4" x 1-1/8"



Drain Mat DM001 List \$176
 Size: 19-11/16" x 12" x 5/16"



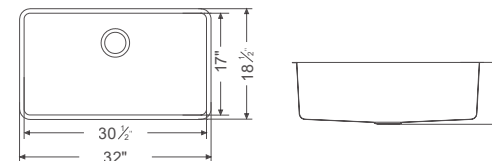
Bottom Grid G031
 Size: 28-5/8" x 15-1/4"



Strainer SD-01 Size:
 4-5/8" x 3-1/2"



Strainer SD-33
 Size: 4-1/2" x 3-15/16"

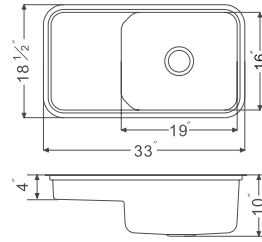


Undermount DSU Sinks

Model No. List Price Description



DSU3018



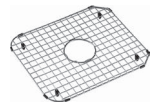
Single Bowl with Stepped Basin
 Material: 304 Stainless Steel
 Content: 18/10 Chrome-Nickel
 Gauge: 18
 Finish: Polished Satin
 Size: 33" x 18-1/2" x 10"
 Drain Opening: 3-1/2"
 Undercoating: Padded
 Cutout Template included
 Limited Lifetime Warranty
 Minimum Cabinet Size: 35"

Optional Accessories:

Cutting Board **CB018**
 Size: 16-3/4" x 12" x 1-1/8"



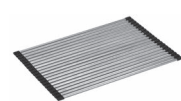
Bottom Grid **G040**
 Size: 17-1/2" x 14-1/2"



Colander **COL018**
 Size: 16-3/4" x 9" x 4-3/4"



Drain Mat **DM018**
 Size: 16-1/2" x 12-3/16" x 5/16"



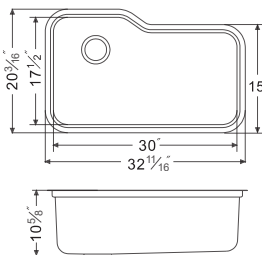
Strainer **SD-01** Size:
 4-5/8" x 3-1/2"



Strainer **SD-33**
 Size: 4-1/2" x 3-15/16"



DSU3118



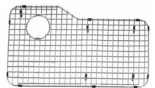
Single Bowl with Side Drain
 Material: 304 Stainless Steel
 Content: 18/10 Chrome-Nickel
 Gauge: 16
 Finish: Polished Satin
 Size: 32-11/16" x 20-3/16" x 10-5/8"
 Drain Opening: 3-1/2"
 Undercoating: Padded
 Cutout Template included
 Limited Lifetime Warranty
 Minimum Cabinet Size: 34-11/16"

Optional Accessories:

Cutting Board **CB118**
 Size: 18-1/4" x 13-3/4" x 1-1/8"



Bottom Grid **G037**
 Size: 28-3/8" x 16"



Colander **COL118**
 Size: 15-1/2" x 8-3/4" x 4-3/8"



Drain Mat **DM118**
 Size: 15-9/16" x 12-3/16" x 5/16"



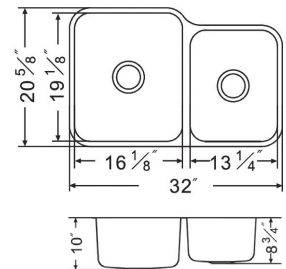
Strainer **SD-01** Size:
 4-5/8" x 3-1/2"



Strainer **SD-33**
 Size: 4-1/2" x 3-15/16"



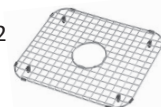
DSU301916R



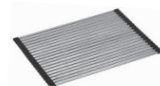
Double Bowl Sink
 (Small Bowl on Right)
 Material: 304 Stainless Steel
 Content: 18/10 Chrome-Nickel
 Gauge: 16
 Finish: Polished Satin
 Size: 32" x 20-5/8" x 10"(B), 8-3/4" (S)
 Drain Opening: 3-1/2"
 Undercoating: Padded
 Cutout Template included
 Limited Lifetime Warranty
 Minimum Cabinet Size: 34"

Optional Accessories:

Bottom Grid **G038**
 (Large Bowl)
 Size: 17-1/2" x 14-1/2"



Drain Mat **DM001**
 Size: 19-11/16" x 12" x 5/16"



Strainer **SD-01** Size:
 4-5/8" x 3-1/2"



Strainer **SD-33**
 Size: 4-1/2" x 3-15/16"



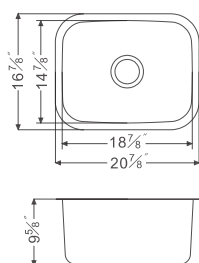
Undermount ASU Sinks

Model No. List Price Description

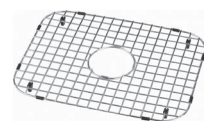


ASU103
 Single Bowl Sink
 Material: 304 Stainless Steel
 Content: 18/10 Chrome-Nickel
 Gauge: 18
 Finish: Polished Satin
 Size: 20-7/8" x 16-7/8" x 9-5/8"
 Drain Opening: 3-1/2"
 Undercoating: Padded
 Cutout Template included
 Limited Lifetime Warranty
 Minimum Cabinet Size: 22-7/8"

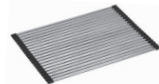
Optional Accessories:



Bottom Grid **G034**
 Size: 17-3/8" x 13-1/4"



Drain Mat **DM001**
 Size: 19-11/16" x 12" x 5/16"



Strainer **SD-01**
 Size: 4-5/8" x 3-1/2"

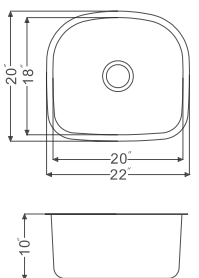


Strainer **SD-33**
 Size: 4-1/2" x 3-15/16"

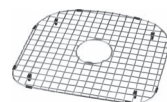


ASU105
 Single Bowl Sink
 Material: 304 Stainless Steel
 Content: 18/10 Chrome-Nickel
 Gauge: 18
 Finish: Polished Satin
 Size: 22" x 20" x 10"
 Drain Opening: 3-1/2"
 Undercoating: Padded
 Cutout Template included
 Limited Lifetime Warranty
 Minimum Cabinet Size: 24"

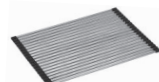
Optional Accessories:



Bottom Grid **G032**
 Size: 18-3/8" x 16-3/8"



Drain Mat **DM001**
 Size: 19-11/16" x 12" x 5/16"



Strainer **SD-01**
 Size: 4-5/8" x 3-1/2"



Strainer **SD-33**
 Size: 4-1/2" x 3-15/16"



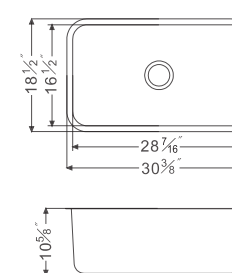
Undermount ASU Sinks

Model No. List Price Description



ASU106
 Single Bowl Sink
 Material: 304 Stainless Steel
 Content: 18/10 Chrome-Nickel
 Gauge: 18
 Finish: Polished Satin
 Size: 30-3/8" x 18-1/2" x 10-5/8"
 Drain Opening: 3-1/2"
 Undercoating: Padded
 Cutout Template included
 Limited Lifetime Warranty
 Minimum Cabinet Size: 32-3/8"

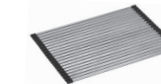
Optional Accessories:



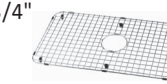
Cutting Board **CB019**
 Size: 18-3/8" x 11-3/4"



Drain Mat **DM001**
 Size: 19-11/16" x 12" x 5/16"



Bottom Grid **G033**
 Size: 26-3/4" x 14-1/2"



Strainer **SD-01**
 Size: 4-5/8" x 3-1/2"

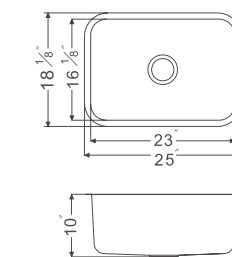


Strainer **SD-33**
 Size: 4-1/2" x 3-15/16"



ASU2316
 Single Bowl Sink
 Material: 304 Stainless Steel
 Content: 18/10 Chrome-Nickel
 Gauge: 18
 Finish: Polished Satin
 Size: 25" x 18-1/8" x 10"
 Drain Opening: 3-1/2"
 Undercoating: Padded
 Cutout Template included
 Limited Lifetime Warranty
 Minimum Cabinet Size: 27"

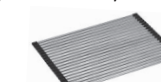
Optional Accessories:



Cutting Board **CB019**
 Size: 18-3/4" x 11-3/4"



Drain Mat **DM001**
 Size: 19-11/16" x 12" x 5/16"
List \$176



Bottom Grid **G039**
 Size: 21-1/4" x 14-1/2"



Strainer **SD-01**
 Size: 4-5/8" x 3-1/2"



Strainer **SD-33**
 Size: 4-1/2" x 3-15/16"



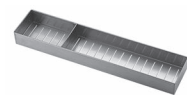
Undermount Bar Sinks Model No. List Price Description



BSF201710
 Bar Sink
 Material: 304 Stainless Steel
 Content: 18/10 Chrome-Nickel
 Gauge: 18
 Finish: Polished Satin
 Size: 21-5/8" x 19-3/16" x 10"
 Drain Opening: 3-1/2"
 Undercoating: Padded
 Cutout Template included
 Limited Lifetime Warranty
 Minimum Cabinet Size: 23-5/8"

Optional Accessories:

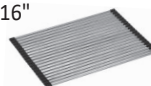
Utensil Shelf **T201710**
 Size: 16-1/2" x 2-1/2" x 1-5/8"



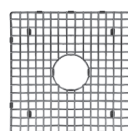
Basket **BK321710**
 Size: 16-1/2" x 8-11/16" x 6"



Drain Mat **DM710**
 Size: 17-5/16" x 12-3/16" x 5/16"



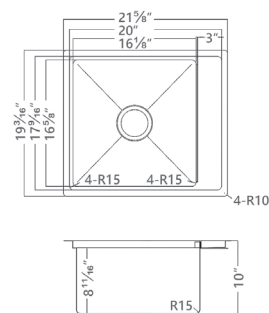
Premium Bottom Grid **G813**
 Size: 15-5/8" x 16-1/16"



Strainer **SD-01**
 Size: 4-5/8" x 3-1/2"



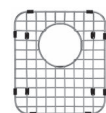
Strainer **SD-33**
 Size: 4-1/2" x 3-15/16"



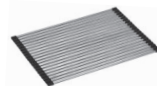
BS121307-N
 Bar Sink
 Material: 304 Stainless Steel
 Content: 18/10 Chrome-Nickel
 Gauge: 18
 Finish: Polished Satin
 Size: 13-5/16" x 14-7/8" x 6-11/16"
 Drain Opening: 3-1/2"
 Undercoating: Padded
 Cutout Template included
 Limited Lifetime Warranty
 Minimum Cabinet Size: 15-5/16"

Optional Accessories:

Bottom Grid **G081**
 Size: 10-3/8" x 11-3/4"



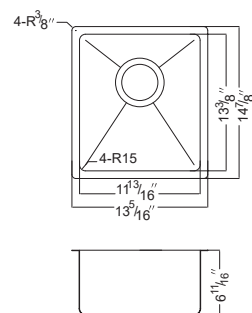
Drain Mat **DM001**
 Size: 19-11/16" x 12" x 5/16"



Strainer **SD-01**
 Size: 4-5/8" x 3-1/2"



Strainer **SD-33**
 Size: 4-1/2" x 3-15/16"



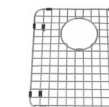
Undermount Bar Sinks Model No. List Price Description



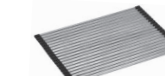
BS131507-N
 Bar Sink
 Material: 304 Stainless Steel
 Content: 18/10 Chrome-Nickel
 Gauge: 18
 Finish: Polished Satin
 Size: 14-7/8" x 17-1/4" x 7-7/8"
 Drain Opening: 3-1/2"
 Undercoating: Padded
 Cutout Template included
 Limited Lifetime Warranty
 Minimum Cabinet Size: 16-7/8"

Optional Accessories:

Bottom Grid **G082**
 Size: 12-7/8" x 15-1/4"



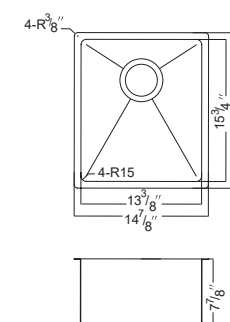
Drain Mat **DM001**
 Size: 19-11/16" x 12" x 5/16"



Strainer **SD-01**
 Size: 4-5/8" x 3-1/2"



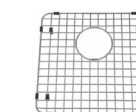
Strainer **SD-33**
 Size: 4-1/2" x 3-15/16"



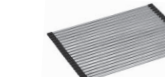
BS161609-N
 Bar Sink
 Material: 304 Stainless Steel
 Content: 18/10 Chrome-Nickel
 Gauge: 18
 Finish: Polished Satin
 Size: 17-3/16" x 17-3/16" x 9"
 Drain Opening: 3-1/2"
 Undercoating: Padded
 Cutout Template included
 Limited Lifetime Warranty
 Minimum Cabinet Size: 19-3/16"

Optional Accessories:

Bottom Grid **G083**
 Size: 15-1/4" x 15-1/4"



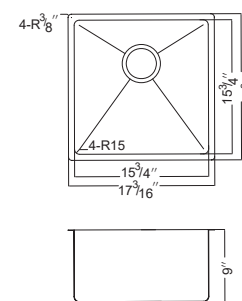
Drain Mat **DM001**
 Size: 19-11/16" x 12" x 5/16"



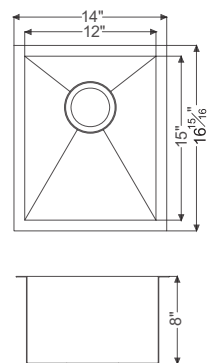
Strainer **SD-01**
 Size: 4-5/8" x 3-1/2"



Strainer **SD-33**
 Size: 4-1/2" x 3-15/16"



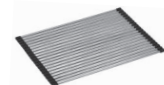
Undermount Bar Sinks Model No. List Price Description



BSQ121508
 Square Bar Sink
 Material: 304 Stainless Steel
 Content: 18/10 Chrome-Nickel
 Gauge: 18
 Finish: Polished Satin
 Size: 14" x 16-15/16" x 8"
 Drain Opening: 3-1/2"
 Undercoating: Padded
 Cutout Template included
 Limited Lifetime Warranty
 Minimum Cabinet Size: 16"

Optional Accessories:

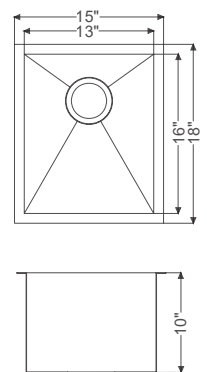
Drain Mat **DM001**
 Size: 19-11/16" x 12" x 5/16"



Strainer **SD-01**
 Size: 4-5/8" x 3-1/2"



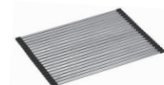
Strainer **SD-33**
 Size: 4-1/2" x 3-15/16"



BSQ131610
 Square Bar Sink
 Material: 304 Stainless Steel
 Content: 18/10 Chrome-Nickel
 Gauge: 18
 Finish: Polished Satin
 Size: 15" x 18" x 10"
 Drain Opening: 3-1/2"
 Undercoating: Padded
 Cutout Template included
 Limited Lifetime Warranty
 Minimum Cabinet Size: 17"

Optional Accessories:

Drain Mat **DM001**
 Size: 19-11/16" x 12" x 5/16"



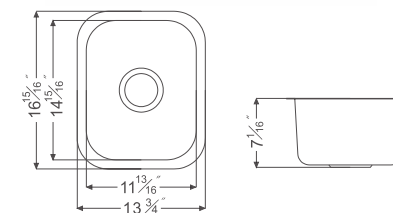
Strainer **SD-01**
 Size: 4-5/8" x 3-1/2"



Strainer **SD-33**
 Size: 4-1/2" x 3-15/16"



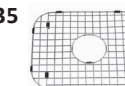
Undermount Bar Sinks Model No. List Price Description



BS1215
 Bar Sink
 Material: 304 Stainless Steel
 Content: 18/10 Chrome-Nickel
 Gauge: 18
 Finish: Polished Satin
 Size: 13-3/4" x 16-15/16" x 7-1/16"
 Drain Opening: 3-1/2"
 Undercoating: Padded
 Cutout Template included
 Limited Lifetime Warranty
 Minimum Cabinet Size: 15-3/4"

Optional Accessories:

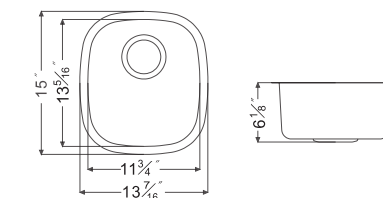
Bottom Grid **G035**
 Size: 13-7/8" x 10-5/8"



Strainer **SD-01**
 Size: 4-5/8" x 3-1/2"



Strainer **SD-33**
 Size: 4-1/2" x 3-15/16"



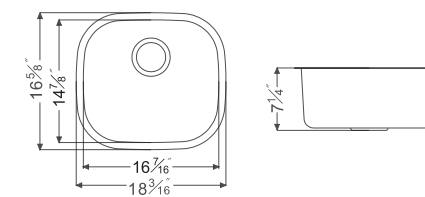
3237
 Bar Sink
 Material: 304 Stainless Steel
 Content: 18/10 Chrome-Nickel
 Gauge: 20
 Finish: Polished Satin
 Size: 13-7/16" x 15" x 6-1/8"
 Drain Opening: 3-1/2"
 Undercoating: Padded
 Cutout Template included
 Limited Lifetime Warranty
 Minimum Cabinet Size: 15-7/16"

Optional Accessory:

Strainer **SD-01**
 Size: 4-5/8" x 3-1/2"



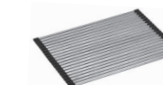
Strainer **SD-33**
 Size: 4-1/2" x 3-15/16"



3238
 Bar Sink
 Material: 304 Stainless Steel
 Content: 18/10 Chrome-Nickel
 Gauge: 20
 Finish: Polished Satin
 Size: 18-3/16" x 16-5/8" x 7-1/4"
 Drain Opening: 3-1/2"
 Undercoating: Padded
 Cutout Template included
 Limited Lifetime Warranty
 Minimum Cabinet Size: 20-3/16"

Optional Accessories:

Drain Mat **DM001**
 Size: 19-11/16" x 12" x 5/16"



Strainer **SD-01**
 Size: 4-5/8" x 3-1/2"



Strainer **SD-33**
 Size: 4-1/2" x 3-15/16"



Top Mount Bar Sinks

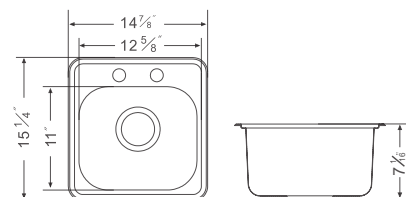
Model No. List Price Description



BST1515
 Bar Sink
 Material: 304 Stainless Steel
 Content: 18/10 Chrome-Nickel
 Gauge: 20
 Finish: Polished Satin
 Size: 14-7/8" x 15-1/4" x 7-1/16"
 Drain Opening: 3-1/2"
 Undercoating: Padded
 Limited Lifetime Warranty
 Minimum Cabinet Size: 16-7/8"

Optional Accessories:

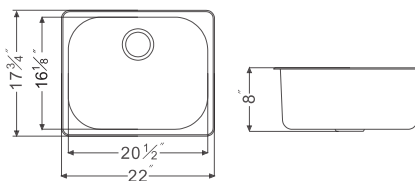
Strainer **SD-01**
 Size: 4-5/8" x 3-1/2"
 Strainer **SD-33**
 Size: 4-1/2" x 3-15/16"



3233
 Bar Sink
 Material: 304 Stainless Steel
 Content: 18/10 Chrome-Nickel
 Gauge: 20
 Finish: Polished Satin
 Size: 22" x 17-3/4" x 8"
 Drain Opening: 3-1/2"
 Undercoating: Padded
 Limited Lifetime Warranty
 Minimum Cabinet Size: 24"

Optional Accessories:

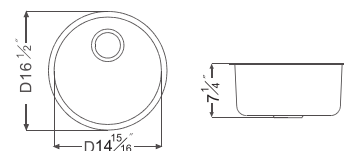
Drain Mat **DM001**
 Size: 19-11/16" x 12" x 5/16"
 Strainer **SD-01**
 Size: 4-5/8" x 3-1/2"
 Strainer **SD-33**
 Size: 4-1/2" x 3-15/16"



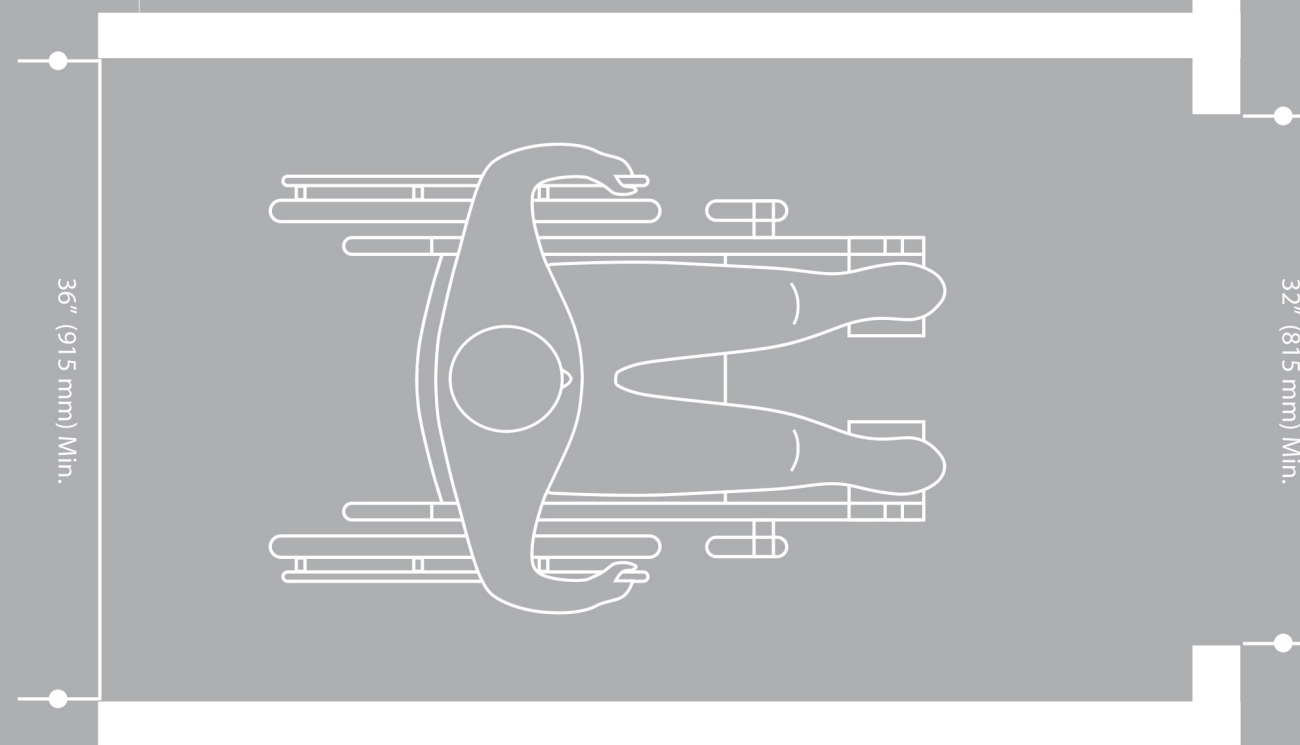
3235
 Round Bar Sink
 Material: 304 Stainless Steel
 Content: 18/10 Chrome-Nickel
 Gauge: 20
 Finish: Polished Satin
 Size: 16-1/2" x 7-1/4"
 Drain Opening: 3-1/2"
 Undercoating: Padded
 Limited Lifetime Warranty
 Minimum Cabinet Size: 18-1/2"

Optional Accessories:

Drain Mat **DM001**
 Size: 19-11/16" x 12" x 5/16"
 Cutter Board **CB016**
 Size: 15-11/16" x 14" x 13/16"
 Strainer **SD-01**
 Size: 4-5/8" x 3-1/2" L
 Strainer **SD-33**
 Size: 4-1/2" x 3-15/16"



Introducing the Americans with Disabilities Act Sinks. Thoughtful and practical designs to fulfill people with special needs while focusing on quality and durability.



ADA Undermount Sinks

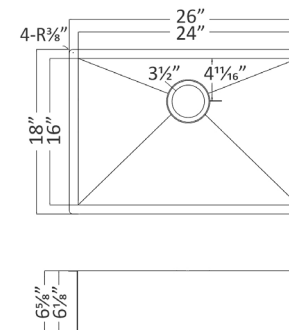
Model No. List Price Description



ADAUS241607
 Square Single Bowl Sink
 Material: 304 Stainless Steel
 Content: 18/10 Chrome-Nickel
 Gauge: 18
 Finish: Polished Satin
 Size: 26" x 18" x 6-5/8"
 Drain Opening: 3-1/2"
 Undercoating: Padded
 Cutout Template included
 Limited Lifetime Warranty
 Minimum Cabinet Size: 28"

Optional Accessories:

Premium Bottom Grid **G062**
 Size: 23-9/16" x 15-9/16"
 Drain Mat **DM001**
 Size: 19-11/16" x 12" x 5/16"
 Strainer **SD-01**
 Size: 4-5/8" x 3-1/2"
 Strainer **SD-33**
 Size: 4-1/2" x 3-15/16"



ADA Undermount Sinks Model No. List Price Description

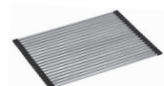


ADAUS240700

Single Bowl Sink
 Material: 304 Stainless Steel
 Content: 18/8 Chrome-Nickel
 Gauge: 18
 Finish: Polished Satin
 Size: 26" x 18" x 6-7/8"
 Drain Opening: 3-1/2"
 Undercoating: Padded
 Cutout Template included
 Limited Lifetime Warranty
 Minimum Cabinet Size: 28"

Optional Accessories:

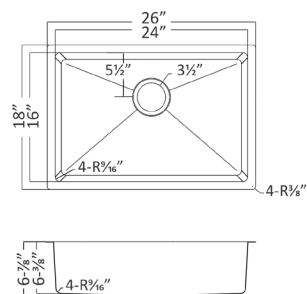
Drain Mat **DM001**
 Size: 19-11/16" x 12" x 5/16"



Strainer **SD-01**
 Size: 4-5/8" x 3-1/2"



Strainer **SD-33**
 Size: 4-1/2" x 3-15/16"



ADA Undermount Sinks Model No. List Price Description

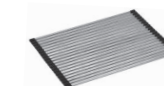


ADAUS300707

Equal Double Bowl Sink
 Material: 304 Stainless Steel
 Content: 18/8 Chrome-Nickel
 Gauge: 18
 Finish: Polished Satin
 Size: 30" x 18" x 6-7/8"
 Drain Opening: 3-1/2"
 Undercoating: Padded
 Cutout Template included
 Limited Lifetime Warranty
 Minimum Cabinet Size: 32"

Optional Accessories:

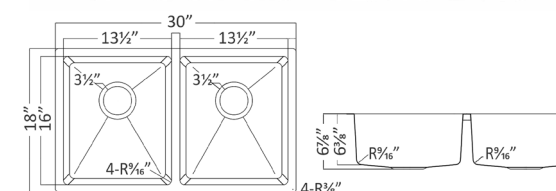
Drain Mat **DM001**
 Size: 19-11/16" x 12" x 5/16"



Strainer **SD-01**
 Size: 4-5/8" x 3-1/2"



Strainer **SD-33**
 Size: 4-1/2" x 3-15/16"



ADA Top Mount Sink Model No. List Price Description

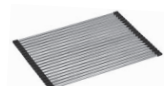


ADAUS280700

Single Bowl Sink
 Material: 304 Stainless Steel
 Content: 18/8 Chrome-Nickel
 Gauge: 18
 Finish: Polished Satin
 Size: 30" x 18" x 6-7/8"
 Drain Opening: 3-1/2"
 Undercoating: Padded
 Cutout Template included
 Limited Lifetime Warranty
 Minimum Cabinet Size: 32"

Optional Accessories:

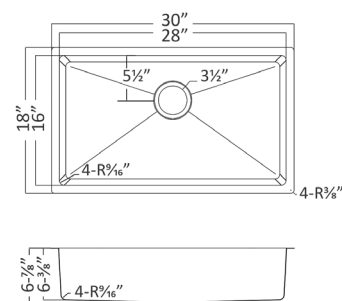
Drain Mat **DM001**
 Size: 19-11/16" x 12" x 5/16"



Strainer **SD-01**
 Size: 4-5/8" x 3-1/2"



Strainer **SD-33**
 Size: 4-1/2" x 3-15/16"

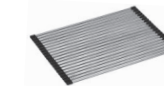


ADAT250700

Single Bowl Sink
 Material: 304 Stainless Steel
 Content: 18/8 Chrome-Nickel
 Gauge: 20
 Finish: Polished Satin
 Size: 25" x 22" x 7"
 Drain Opening: 3-1/2"
 Undercoating: Padded
 Limited Lifetime Warranty
 Minimum Cabinet Size: 27"

Optional Accessories:

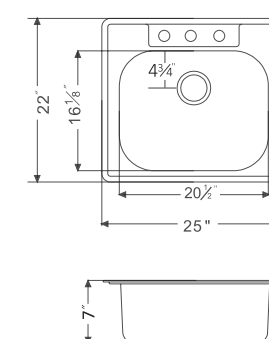
Drain Mat **DM001**
 Size: 19-11/16" x 12" x 5/16"



Strainer **SD-01**
 Size: 4-5/8" x 3-1/2"



Strainer **SD-33**
 Size: 4-1/2" x 3-15/16"



Top Mount AST Sinks

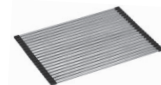
Model No. List Price Description



AST102
 Equal Double Bowl Sink
 Material: 304 Stainless Steel
 Content: 18/10 Chrome-Nickel
 Gauge: 20
 Finish: Polished Satin
 Size: 33-1/8" x 22" x 8-1/8"
 Drain Opening: 3-1/2"
 Undercoating: Padded
 Limited Lifetime Warranty
 Minimum Cabinet Size: 35-1/8"

Optional Accessories:

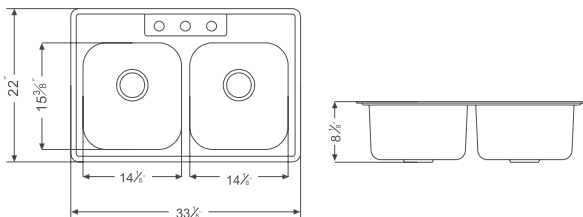
Drain Mat **DM001**
 Size: 19-11/16" x 12" x 5/16"



Strainer **SD-01**
 Size: 4-5/8" x 3-1/2"



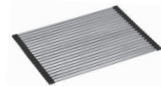
Strainer **SD-33**
 Size: 4-1/2" x 3-15/16"



AST103
 Single Bowl Sink
 Material: 304 Stainless Steel
 Content: 18/10 Chrome-Nickel
 Gauge: 20
 Finish: Polished Satin
 Size: 25" x 22" x 8"
 Drain Opening: 3-1/2"
 Undercoating: Padded
 Limited Lifetime Warranty
 Minimum Cabinet Size: 27"

Optional Accessories:

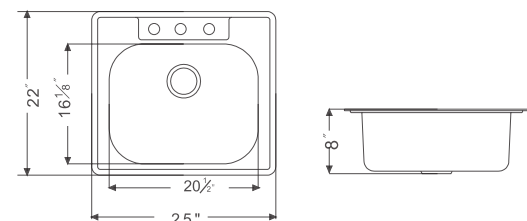
Drain Mat **DM001**
 Size: 19-11/16" x 12" x 5/16"



Strainer **SD-01**
 Size: 4-5/8" x 3-1/2"



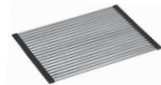
Strainer **SD-33**
 Size: 4-1/2" x 3-15/16"



AST104
 Single Bowl Sink
 Material: 304 Stainless Steel
 Content: 18/8 Chrome-Nickel
 Gauge: 18
 Finish: Polished Satin
 Size: 33" x 22" x 10-1/2"
 Drain Opening: 3-1/2"
 Undercoating: Padded
 Limited Lifetime Warranty
 Minimum Cabinet Size: 35"

Optional Accessories:

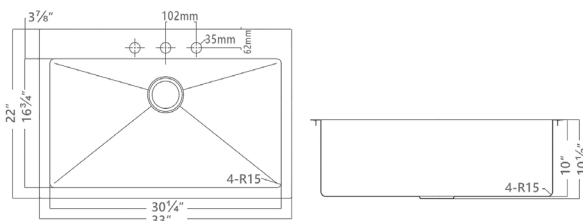
Drain Mat **DM001**
 Size: 19-11/16" x 12" x 5/16"



Strainer **SD-01**
 Size: 4-5/8" x 3-1/2"



Strainer **SD-33**
 Size: 4-1/2" x 3-15/16"



Top Mount CH Sinks

Model No. List Price Description



CH366
 Double Bowl Sink with Integral Drain Board (Large Bowl on Right)
 Material: 304 Stainless Steel
 Content: 18/10 Chrome-Nickel
 Gauge: 20
 Finish: Polished Satin
 Size: 45-7/8" x 19-7/8" x 9-1/2"
 Drain Opening: 3-1/2"
 Undercoating: Padded
 Drain Pipe Assembly included
 Limited Lifetime Warranty
 Minimum Cabinet Size: 47-7/8"

Optional Accessories:

Cutting Board **CB104**
 Size: 16" x 11-7/8" x 3/4"



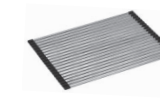
Cutting Board **CB913**
 Size: 13-1/4" x 8-3/4" x 3/4"



Drain Board **DB366**
 Size: 13-1/2" x 15-1/8" x 5/8"



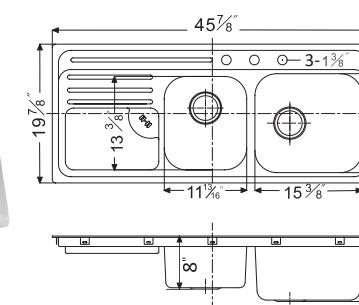
Drain Mat **DM001**
 Size: 19-11/16" x 12" x 5/16"



Strainer **SD-01**
 Size: 4-5/8" x 3-1/2"



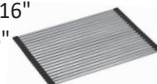
Strainer **SD-33**
 Size: 4-1/2" x 3-15/16"



CH368
 Single Bowl Sink
 Material: 304 Stainless Steel
 Content: 18/10 Chrome-Nickel
 Gauge: 20
 Finish: Polished Satin
 Size: 34-7/16" x 19-7/8" x 9-1/4"
 Drain Opening: 3-1/2"
 Undercoating: Padded
 Limited Lifetime Warranty
 Minimum Cabinet Size: 36-7/16"

Optional Accessories:

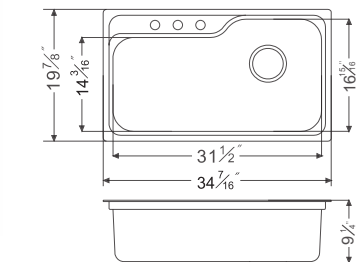
Drain Mat **DM001**
 Size: 19-11/16" x 12" x 5/16"



Strainer **SD-01**
 Size: 4-5/8" x 3-1/2"



Strainer **SD-33**
 Size: 4-1/2" x 3-15/16"



Bathroom Vanity Stainless Steel Sink

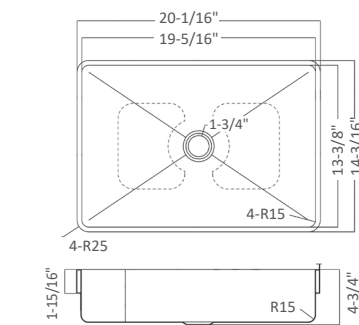
Model No. List Price Description



WBT5136RG
 Vanity Sink Top
 Material: Stainless Steel
 Content: 18/8 Chrome-Nickel
 Gauge: 18
 Finish: Rose Gold
 Size: 20-1/16" x 14-3/16" x 4-3/4"
 Drain Opening: 1-3/4"
 Limited Lifetime Warranty
 Minimum Cabinet Size: 22-1/16"

Optional Accessory:

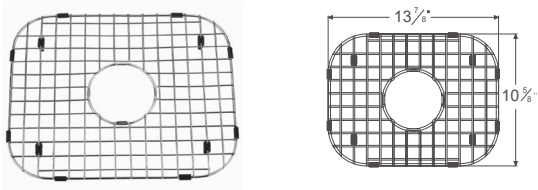
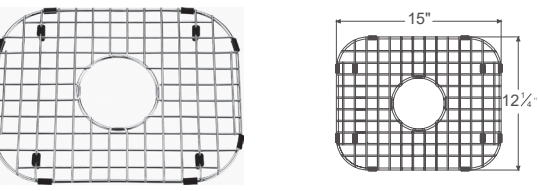
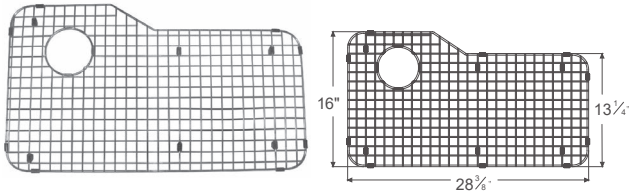
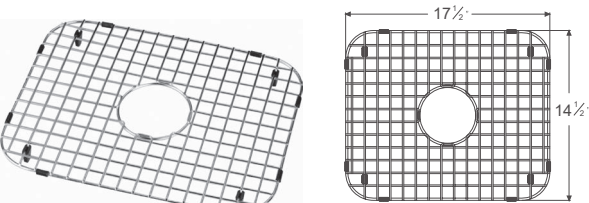
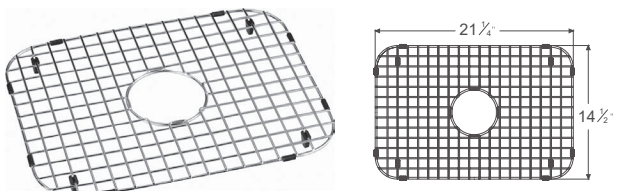
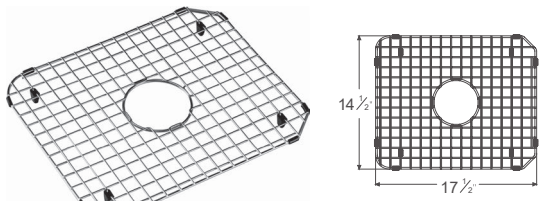
Standard Pop-Up Drain **POP213**
 Rose Gold

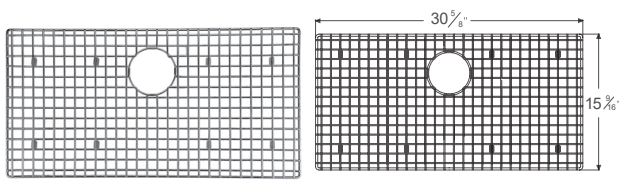
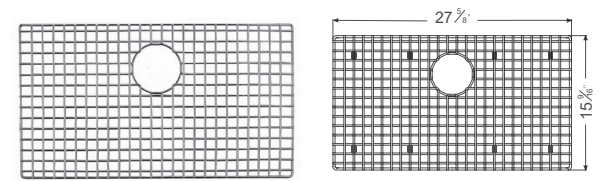
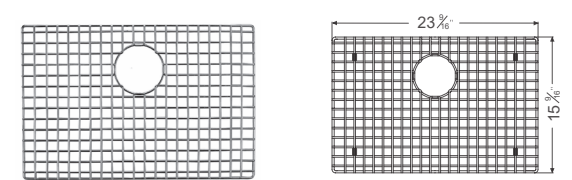
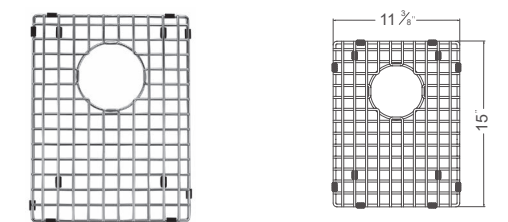
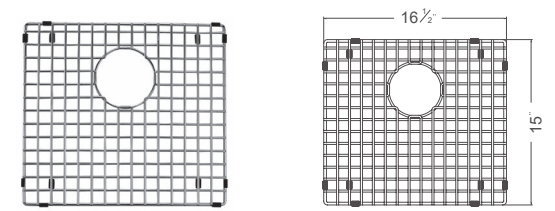


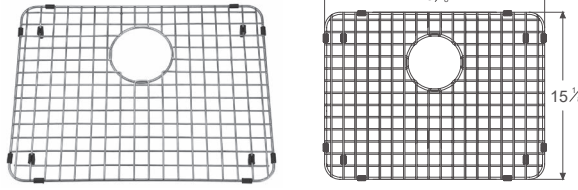
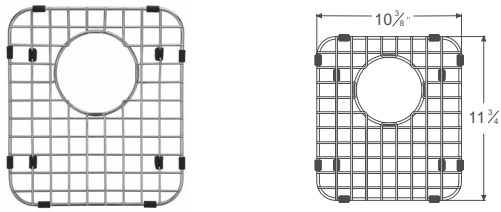
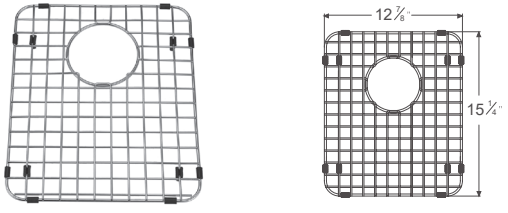
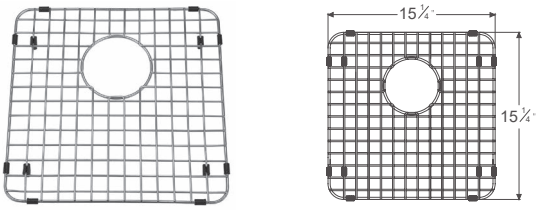
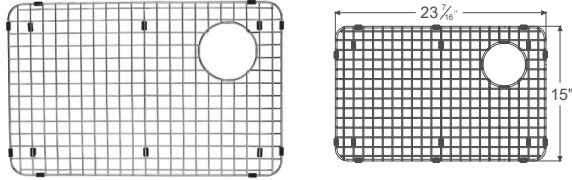
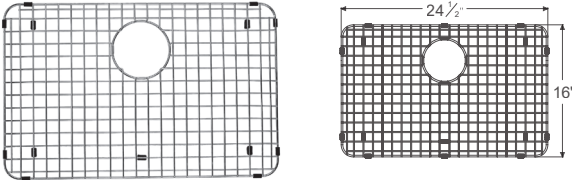
Complement your Dawn sink with accessories to maximize productivity and performance in the sink area.

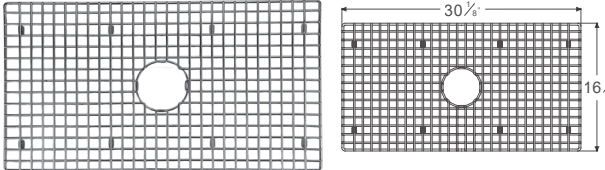
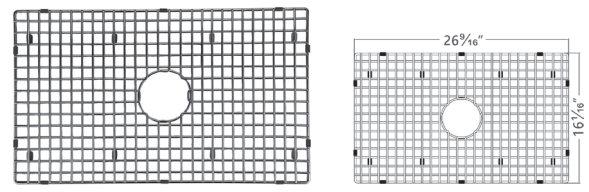
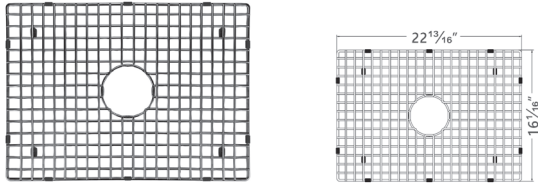
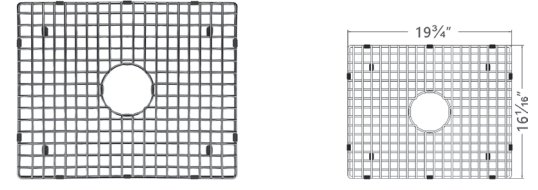
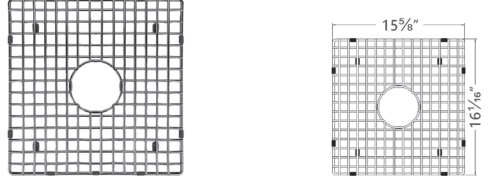


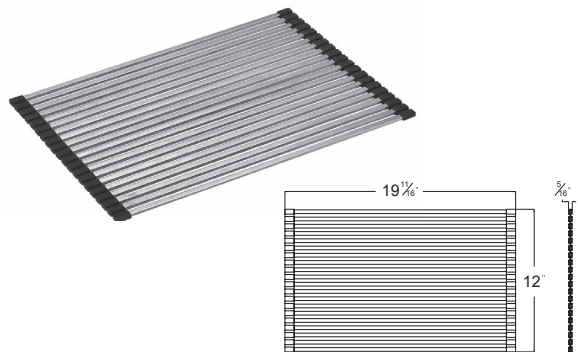
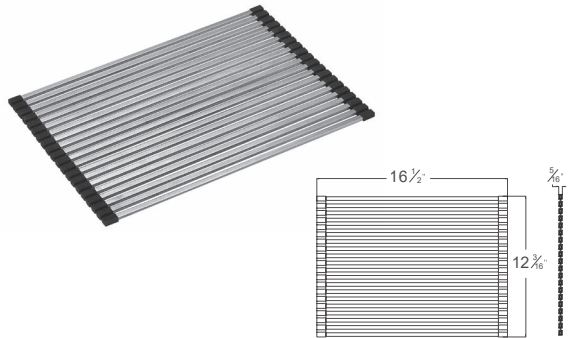
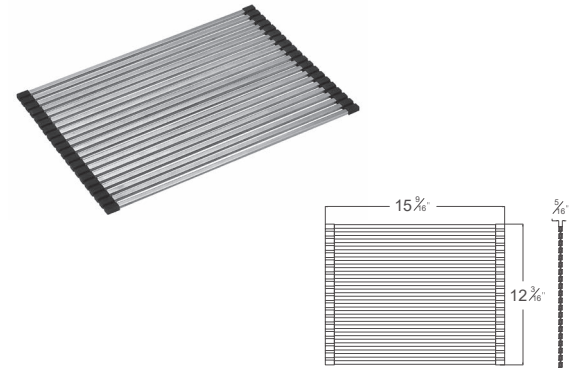
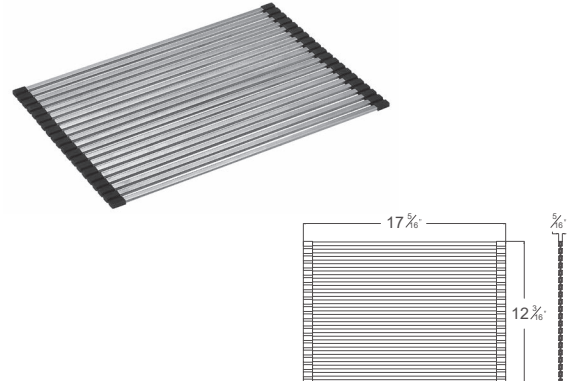
Bottom Grids	Model No.	List Price	Description
	G030		Sink Bottom Grid Material: 304 Stainless Steel Finish: Polished Satin One-Year Limited Warranty
	G031		Sink Bottom Grid For use with sinks: DAF3320, DAF3320C, DSU3017 For use with cabinets: SSC3636G, SSC3636 Material: 304 Stainless Steel Finish: Polished Satin One-Year Limited Warranty
	G032		Sink Bottom Grid For use with sink: ASU105 Material: 304 Stainless Steel Finish: Polished Satin One-Year Limited Warranty
	G033		Sink Bottom Grid For use with sink: ASU106 For use with cabinets: SSC3336G, SSC3336 Material: 304 Stainless Steel Finish: Polished Satin One-Year Limited Warranty
	G034		Sink Bottom Grid For use with sink: ASU103 Material: 304 Stainless Steel Finish: Polished Satin One-Year Limited Warranty

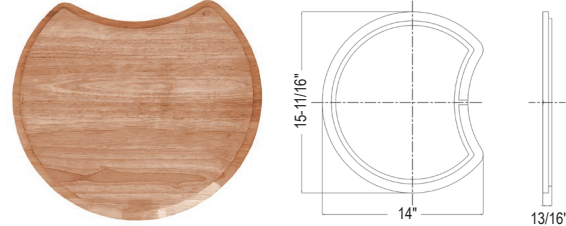
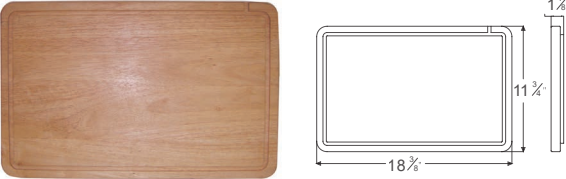
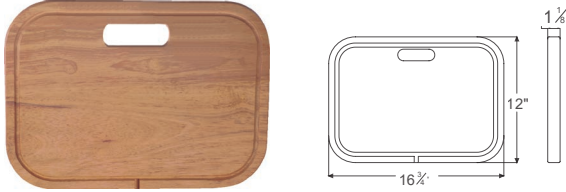
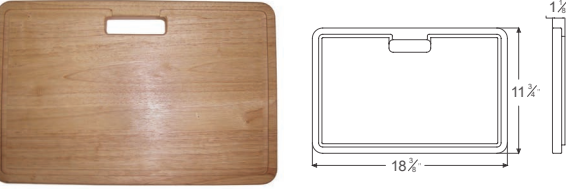
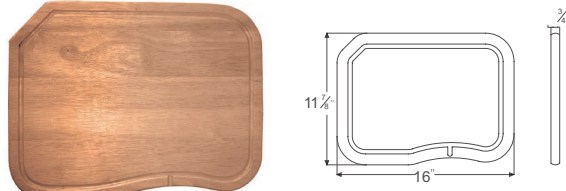
Bottom Grids	Model No.	List Price	Description
	G035		Sink Bottom Grid For use with sink: BS1215 Material: 304 Stainless Steel Finish: Polished Satin One-Year Limited Warranty
	G036		Sink Bottom Grid Material: 304 Stainless Steel Finish: Polished Satin One-Year Limited Warranty
	G037		Sink Bottom Grid For use with sink: DSU3118 Material: 304 Stainless Steel Finish: Polished Satin One-Year Limited Warranty
	G038		Sink Bottom Grid For use with sinks: DSU1916, DSU301916R (Large Bowl) Material: 304 Stainless Steel Finish: Polished Satin One-Year Limited Warranty
	G039		Sink Bottom Grid For use with sink: ASU2316, For use with cabinets: SSC3036G, SSC3036 Material: 304 Stainless Steel Finish: Polished Satin One-Year Limited Warranty
	G040		Sink Bottom Grid For use with sink: DSU3018 Material: 304 Stainless Steel Finish: Polished Satin One-Year Limited Warranty



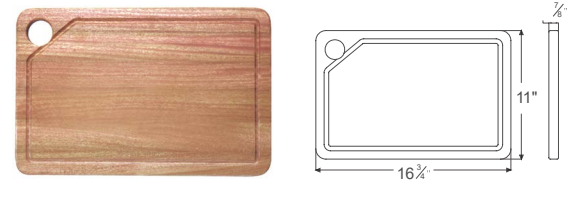

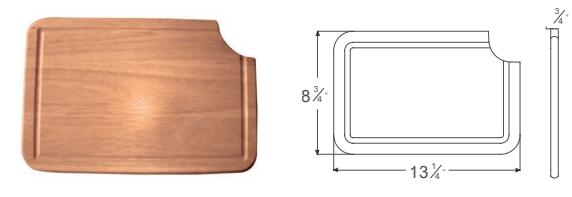
Bottom Grids	Model No.	List Price	Description
	G060		Premium Sink Bottom Grid For use with sinks: DSQ3116, XSR311610 Material: 304 Stainless Steel Finish: Polished Satin One-Year Limited Warranty
	G061		Premium Sink Bottom Grid For use with sinks: DSQ2816, XSR281610 Material: 304 Stainless Steel Finish: Polished Satin One-Year Limited Warranty
	G062		Premium Sink Bottom Grid For use with sinks: ADAUS241607, DSQ241607 and DSQ241609 Material: 304 Stainless Steel Finish: Polished Satin One-Year Limited Warranty
	G063		Sink Bottom Grid For use with sinks: DAF3321L (small bowl), DSQ301515 (small bowl) Material: 304 Stainless Steel Finish: Polished Satin One-Year Limited Warranty
	G064		Sink Bottom Grid For use with sinks: DAF3321L (large bowl), DSQ301515 (large bowl) Material: 304 Stainless Steel Finish: Polished Satin One-Year Limited Warranty

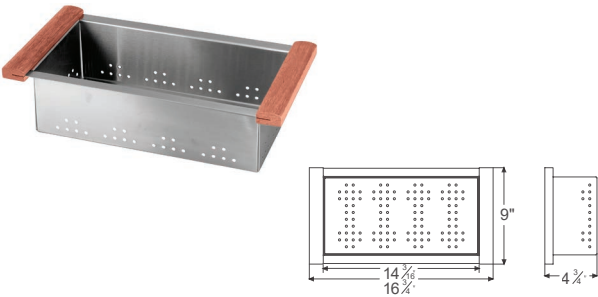
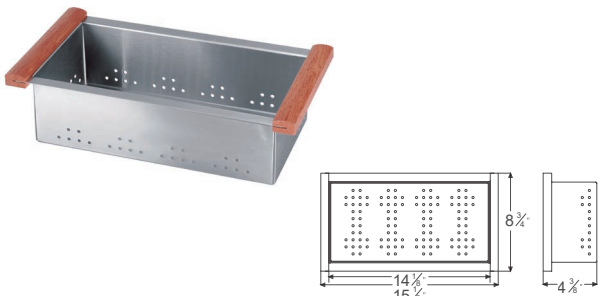
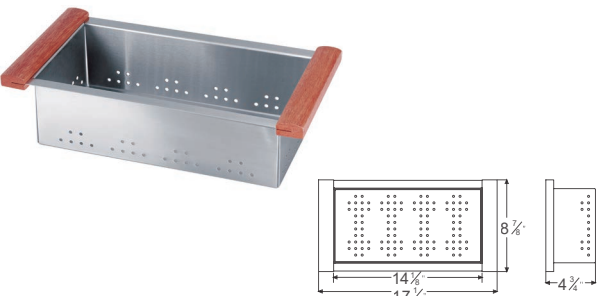
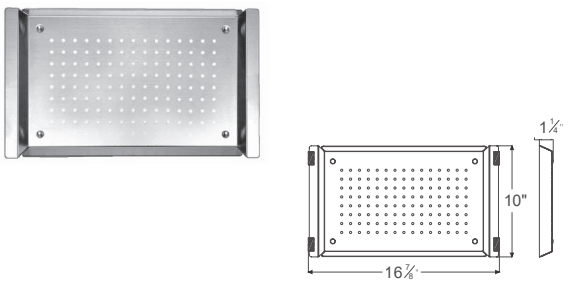
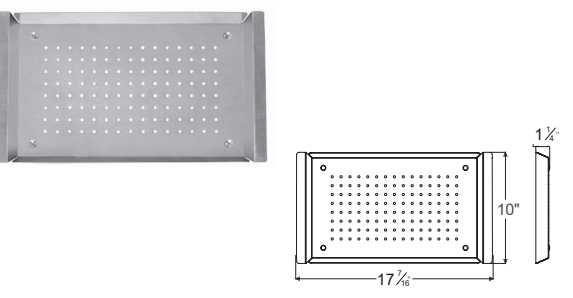
Bottom Grids	Model No.	List Price	Description
	G080		Sink Bottom Grid For use with sinks: SRU201609, XSR201609 Material: 304 Stainless Steel Finish: Polished Satin One-Year Limited Warranty
	G081		Sink Bottom Grid For use with sink: BS121307-N Material: 304 Stainless Steel Finish: Polished Satin One-Year Limited Warranty
	G082		Sink Bottom Grid For use with sinks: BS131507, SRU301616L/R-N (Small Bowl), Material: 304 Stainless Steel Finish: Polished Satin One-Year Limited Warranty
	G083		Sink Bottom Grid For use with sinks: BS161609-N, SRU301616L/R-N (Large Bowl), SRU331616-N, XSR321616 Material: 304 Stainless Steel Finish: Polished Satin One-Year Limited Warranty
	G517		Sink Bottom Grid For use with sink: DSU2517 Material: 304 Stainless Steel Finish: Polished Satin One-Year Limited Warranty
	G610		Sink Bottom Grid For use with sinks: SRU251610-N, XSR251610 Material: 304 Stainless Steel Finish: Polished Satin One-Year Limited Warranty

Bottom Grids	Model No.	List Price	Description
	G710		Premium Sink Bottom Grid For use with sink: SRU311710 Material: 304 Stainless Steel Finish: Polished Satin One-Year Limited Warranty
	G810		Premium Sink Bottom Grid For use with sinks: SRU281610, SRF321710 Material: 304 Stainless Steel Finish: Polished Satin One-Year Limited Warranty
	G811		Premium Sink Bottom Grid For use with sink: SRF281710 Material: 304 Stainless Steel Finish: Polished Satin One-Year Limited Warranty
	G812		Premium Sink Bottom Grid For use with sink: SRF251710 Material: 304 Stainless Steel Finish: Polished Satin One-Year Limited Warranty
	G813		Premium Sink Bottom Grid For use with sink: BSF201710 Material: 304 Stainless Steel Finish: Polished Satin One-Year Limited Warranty

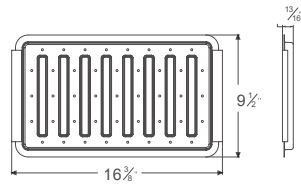
Drain Mats	Model No.	List Price	Description
	DM001 (Black Rubber)		Universal Drain Mat (Compatible with all Dawn sinks) Material: 304 Stainless Steel Finish: Polished Satin & Rubber One-Year Limited Warranty
	DM018 (Black Rubber)		Drain Mat For use with sinks: DAF3321L, DSU3018, DSQ2817, DSQ2917, DSQ301515 Material: 304 Stainless Steel Finish: Polished Satin & Rubber One-Year Limited Warranty
	DM118 (Black Rubber)		Drain Mat For use with sink: DSU3118 Material: 304 Stainless Steel Finish: Polished Satin & Rubber One-Year Limited Warranty
	DM710 (Black Rubber)		Drain Mat For use with sinks: DAFF3026, DAFF3326, DAFF3626, DAFF3026G, DAFF3326G, SRF251710, SRF281710, SRF321710, SRU281610, SRU311710, BSF201710 Material: 304 Stainless Steel Finish: Polished Satin & Rubber One-Year Limited Warranty

Cutting Boards	Model No.	List Price	Description
	CB016		Cutting Board For use with sink: 3235 Material: Solid Redwood One-Year Limited Warranty
	CB017		Cutting Board For use with sinks: DAF3320, DAF3320C, DAF3321L, DSQ2817, DSQ2917, DSQ301515, DSU3017 For use with cabinets: SSC3636G, SSC3636 Material: Solid Redwood One-Year Limited Warranty
	CB018		Cutting Board For use with sink: DSU3018 Material: Solid Redwood One-Year Limited Warranty
	CB019		Cutting Board For use with sinks: ASU106, ASU2316, SRU311317L For use with cabinets: SSC3036G, SSC3036, SSC3336G, SSC3336 Material: Solid Redwood One-Year Limited Warranty
	CB104		Cutting Board For use with sink: CH366 Material: Solid Redwood One-Year Limited Warranty

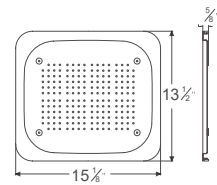
Cutting Boards	Model No.	List Price	Description
	CB118		Cutting Board For use with sink: DSU3118 Material: Solid Redwood One-Year Limited Warranty
	CB120		Cutting Board Material: Solid Redwood One-Year Limited Warranty
	CB322		Cutting Board Material: Solid Redwood One-Year Limited Warranty
	CB710		Cutting Board For use with sinks: DAFF3026, DAFF3326, DAFF3626, DAFF3626G, DAFF3326G, DAFF3026G, SRF251710, SRF281710, SRF321710, SRU281610, SRU311710 Material: Solid Redwood One-Year Limited Warranty
	CB913		Cutting Board For use with sink: CH366 Material: Solid Redwood One-Year Limited Warranty

Colanders	Model No.	List Price	Description
	COL018		Colander For use with sinks: DAF3321L, DSQ2817, DSQ2917, DSQ301515, DSU3018 Material: 304 Stainless Steel Finish: Polished Satin One-Year Limited Warranty
	COL118		Colander For use with sink: DSU3118 Material: 304 Stainless Steel Finish: Polished Satin One-Year Limited Warranty
	COL120		Colander Material: 304 Stainless Steel Finish: Polished Satin One-Year Limited Warranty
	COL417		Colander Material: 304 Stainless Steel Finish: Polished Satin One-Year Limited Warranty
	COL710		Colander For use with sinks: DAFF3026, DAFF3326, DAFF3626, DAFF3026G, DAFF3326G, DAFF3626G, SRF251710, SRF281710, SRF321710, SRU281610, SRU311710 Material: 304 Stainless Steel Finish: Polished Satin One-Year Limited Warranty

Drain Boards Model No. List Price Description

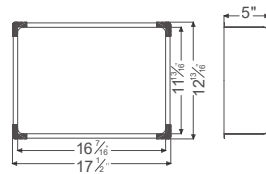


DB322
 Drain Board
 Material: 304 Stainless Steel
 Finish: Polished Satin
 One-Year Limited Warranty

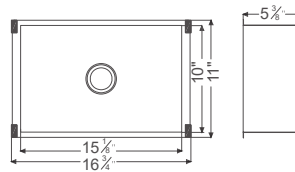


DB366
 Drain Board
 For use with sink: CH366
 Material: 304 Stainless Steel
 Finish: Polished Satin
 One-Year Limited Warranty

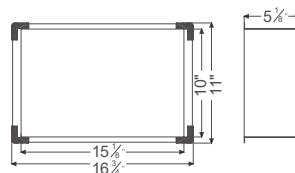
Trays Model No. List Price Description



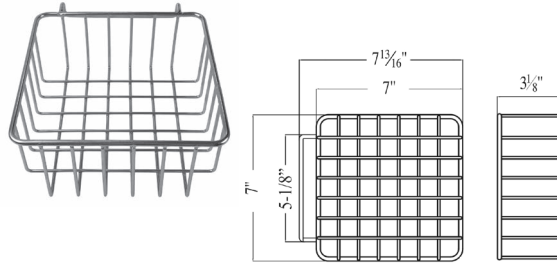
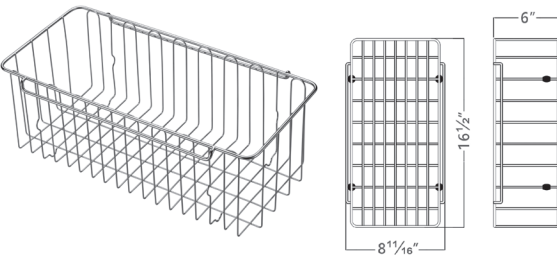
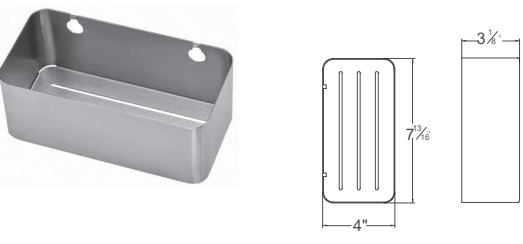
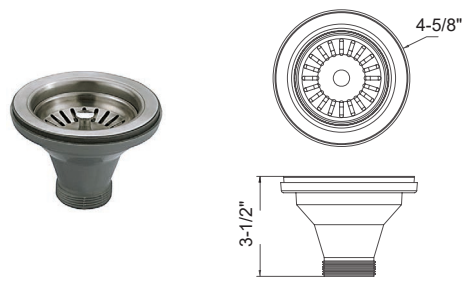
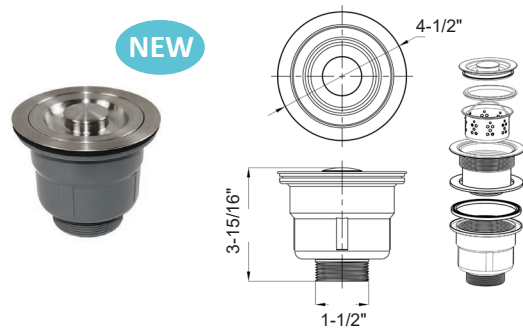
T710
 Tray
 For use with sinks: DAFF3026, DAFF3326, DAFF3626, DAFF3026G, DAFF3326G, DAFF3626G, SRU281610, SRU311710, SRF251710, SRF281710, SRF321710
 Material: 304 Stainless Steel
 Finish: Polished Satin
 One-Year Limited Warranty

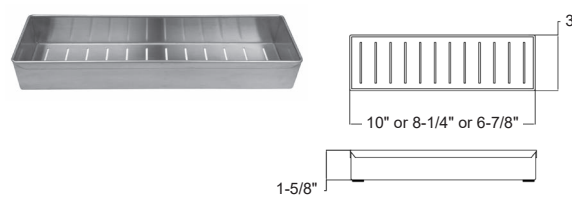

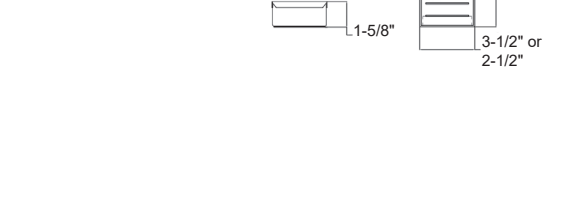




T817
 Tray
 For use with sink: DSQ2817
 Material: 304 Stainless Steel
 Finish: Polished Satin
 One-Year Limited Warranty



T917
 Tray
 For use with sink: DSQ2917
 Material: 304 Stainless Steel
 Finish: Polished Satin
 One-Year Limited Warranty

Baskets	Model No.	List Price	Description
	BK3626		<p>Basket For use with sinks: DAFF3626, DAFF3326, DAFF3026, DAFF3626G, DAFF3326G, DAFF3026G Material: 304 Stainless Steel Finish: Polished Satin One-Year Limited Warranty</p>
	BK321710		<p>Basket For use with sinks: BSF201710, SRF251710, SRF281710, SRF321710 Material: 304 Stainless Steel Finish: Polished Satin One-Year Limited Warranty</p>
	BK710		<p>Basket For use with sinks: SRU281610, SRU311710 Material: 304 Stainless Steel Finish: Polished Satin One-Year Limited Warranty</p>
Strainers	Model No.	List Price	Description
	SD-01		<p>Strainer For use with Undermount and Top Mount Sinks Material: 304 Stainless Steel Finish: Polished Satin One-Year Limited Warranty</p>
	SD-33		<p>Strainer For use with Undermount and Top Mount Sinks Material: 304 Stainless Steel Finish: Polished Satin One-Year Limited Warranty</p>

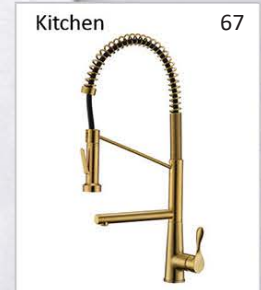
Utensil Shelves	Model No.	List Price	Description
	T3626 (10" L)		<p>Utensil Shelf T3626, for use with sinks: DAFF3626, DAFF3626G T3326, for use with sinks: DAFF3326, DAFF3326G T3026, for use with sinks: DAFF3026, DAFF3026G Material: 304 Stainless Steel Finish: Polished Satin One-Year Limited Warranty</p>
	T3326 (8-1/4" L)		
	T3026 (6-7/8" L)		
	T321710 (3-1/2" W)		<p>Utensil Shelf T321710, for use with sinks: SRF251710, SRF281710, SRF321710 T201710, for use with sink: BSF201710 Material: 304 Stainless Steel Finish: Polished Satin One-Year Limited Warranty</p>
	T201710 (2-1/2" W)		



Dawn faucets are made by a reputable manufacturer, are of overall good quality, include an excellent European ceramic cartridge, and are fully certified to North American reliability and lead-free standards.



Faucets • Accessories



Faucets & Accessories 65-108



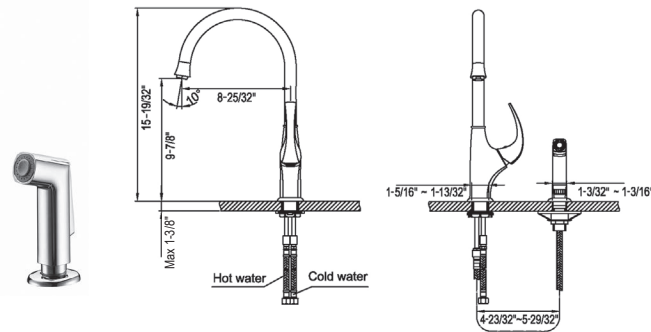
Kitchen Faucets Model No. List Price Description



AB04 3276C
Chrome

AB04 3276BN
Brushed Nickel

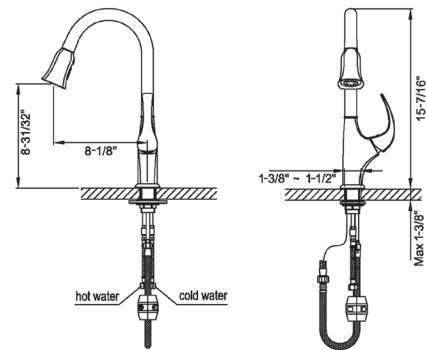
- Single-Lever Faucet with Side Spray
- Solid brass construction
 - Ceramic disc cartridge
 - Single control operation
 - Flexible supply lines included
 - Pull-out side spray



AB04 3277C
Chrome

AB04 3277BN
Brushed Nickel

- Single-Lever Pull-Out Spray Faucet
- Solid brass construction
 - Ceramic disc cartridge
 - Dual control operation
 - Pull out spout with push button
 - Flexible supply lines included



Optional Accessories:
Escutcheon, 10"



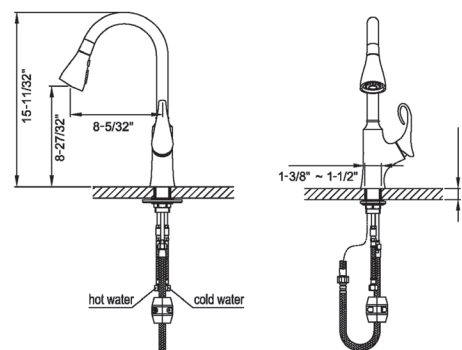
D510013001C
D510013001BN



AB06 3292C
Chrome

AB06 3292DBR
Dark Brown Finished

- Single-Lever Pull-Out Spray Faucet
- Solid brass construction
 - Ceramic disc cartridge
 - Dual control operation
 - Pull out spout with push button
 - Flexible supply lines included



Optional Accessories:
Escutcheon, 10"



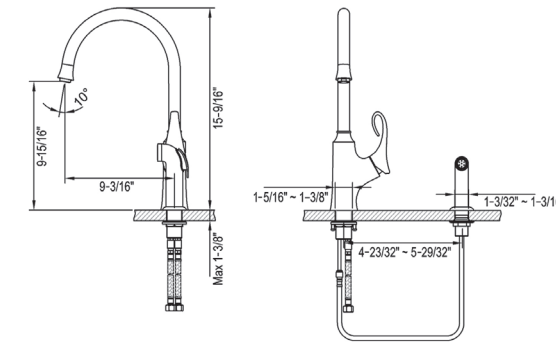
D510013001C

Kitchen Faucets Model No. List Price Description



AB06 3296C
Chrome

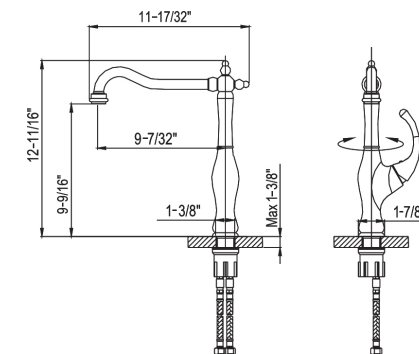
- Single-Lever Faucet with Side Spray
- Solid brass construction
 - Ceramic disc cartridge
 - Single control operation
 - Flexible supply lines included
 - Pull-out side spray



AB08 3152C
Chrome

AB08 3152BN
Brushed Nickel

- Single-Lever Kitchen Faucet
- Solid brass construction
 - Ceramic disc cartridge
 - Single control operation
 - Flexible supply lines included



Optional Accessories:
Escutcheon, 10"

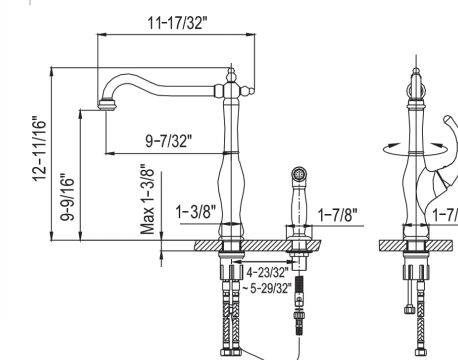


D510013001C
D510013001BN



AB08 3155C
Chrome

- Single-Lever Faucet with Side Spray
- Solid brass construction
 - Ceramic disc cartridge
 - Single control operation
 - Flexible supply lines included
 - Pull-out side spray

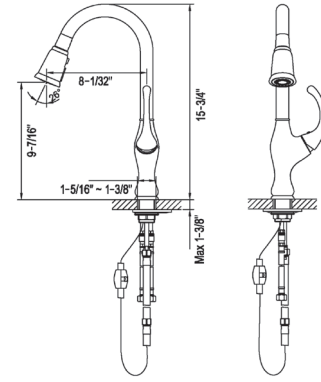


Kitchen Faucets Model No. List Price Description



AB08 3157C
Chrome

AB08 3157BN
Brushed Nickel



- Single-Lever Pull-Out Spray Faucet
- Solid brass construction
 - Ceramic disc cartridge
 - Dual control operation
 - Pull out spout with push button
 - Flexible supply lines included

Optional Accessories:
Escutcheon, 10"



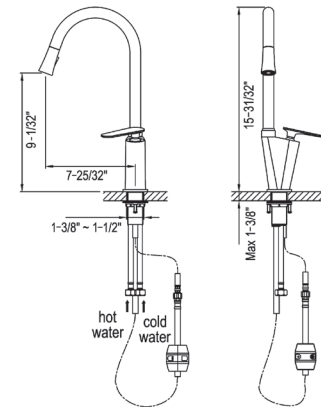
D510013001C
D510013001BN

Faucets

Faucets



AB27 3602C
Chrome



- Single-Lever Pull-Down Spray Faucet
- Solid brass construction
 - Ceramic disc cartridge
 - Dual control operation
 - Pull out spout with push button
 - Flexible supply lines included

Optional Accessories:
Escutcheon, 10"

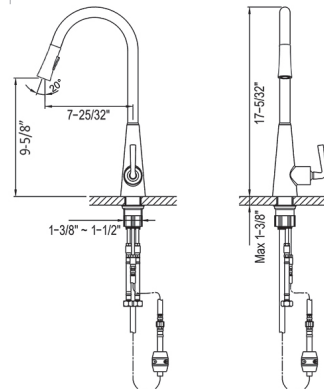


D510013001C



AB30 3788C
Chrome

AB30 3788BN
Brushed Nickel



- Single-Lever Pull-Down Spray Faucet
- Solid brass construction
 - Ceramic disc cartridge
 - Dual control operation
 - Pull out spout with push button
 - Flexible supply lines included

Optional Accessories:
Escutcheon, 10"



D510013001C
D510013001BN



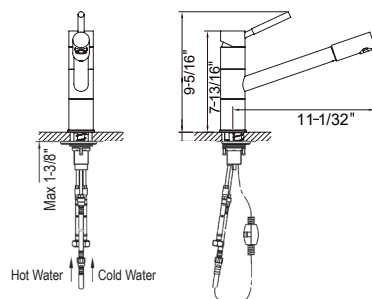
Kitchen Faucets Model No. List Price Description



AB33 3241C
Chrome

AB33 3241BN
Brushed Nickel

- Single-Lever Pull-Out Faucet
- Solid brass construction
 - Ceramic disc cartridge
 - Single control operation
 - Pull out spout
 - Flexible supply lines included



Optional Accessories:
Escutcheon, 10"



D510013001C List \$32
D510013001BN List \$37

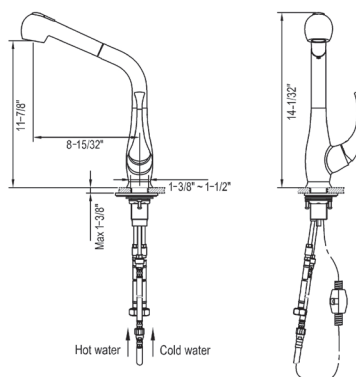
Faucets



AB50 3079C
Chrome

AB50 3079BN
Brushed Nickel

- Single-Lever Pull-Out Spray Faucet
- Solid brass construction
 - Ceramic disc cartridge
 - Dual control operation
 - Pull out spout with push button
 - Flexible supply lines included



Optional Accessories:
Escutcheon, 10"



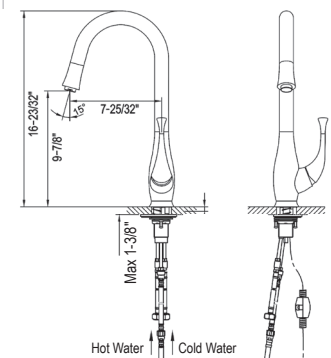
D510013001C List \$32
D510013001BN List \$37



AB50 3084C
Chrome

AB50 3084BN
Brushed Nickel

- Single-Lever Pull-Out Faucet
- Solid brass construction
 - Ceramic disc cartridge
 - Single control operation
 - Pull out spout
 - Flexible supply lines included



Optional Accessories:
Escutcheon, 10"



D510013001C
D510013001BN

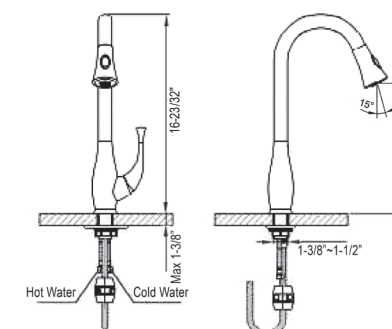
Kitchen Faucets Model No. List Price Description



AB50 3091C
Chrome

AB50 3091BN
Brushed Nickel

- Single-Lever Pull-Out Spray Faucet
- Solid brass construction
 - Ceramic disc cartridge
 - Dual control operation
 - Pull out spout with push button
 - Flexible supply lines included



Optional Accessories:
Escutcheon, 10"

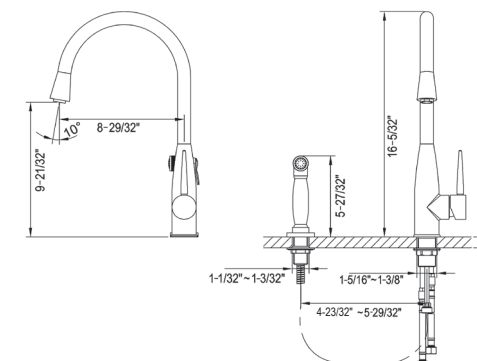


D510013001C
D510013001BN



AB50 3178C
Chrome

- Single-Lever Faucet with Side Spray
- Solid brass construction
 - Ceramic disc cartridge
 - Single control operation
 - Flexible supply lines included
 - Pull-out side spray



*Original Design,
Exceptional Quality and
Pure Elegance for Modern Living.*

Faucets

Kitchen Faucets

Model No.

List Price

Description



AB50 3262C
Chrome

AB50 3262BN
Brushed Nickel

AB50 3262MB
Matte Black

AB50 3262MAG
Matte Gold

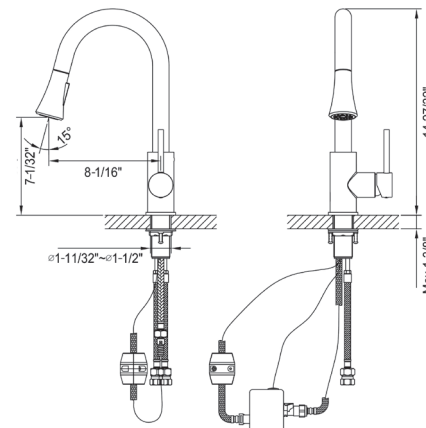
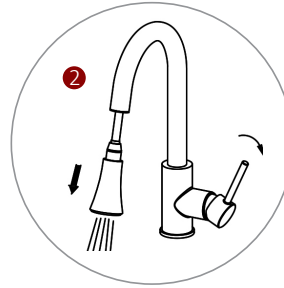
Single-Lever Pull-Down
SENSOR Spray Faucet

- Solid brass construction
- Ceramic disc cartridge
- Two different sensor options:
 - 1 By hands
 - 2 By pull down or return spray
- Sensor or normal operation
- Pull out spout with push button
- Flexible supply lines included
- Power supplied by DC 6V (4 pcs of AA 1.5V alkaline batteries required)
- Water off after 180 seconds automatically

Optional Accessories:
Escutcheon, 10"



D510013001C
D510013001BN
D510013001MB
D510013001MAG



Matte Black



Chrome



Brushed Nickel



AB50 3316C
Chrome

AB50 3316BN
Brushed Nickel

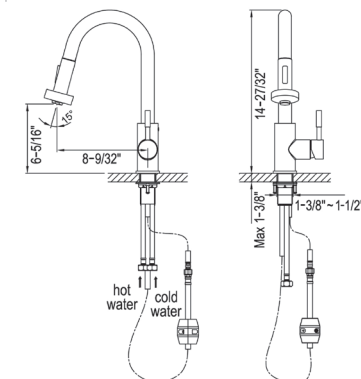
Single-Lever Pull-Down Spray Faucet

- Solid brass construction
- Ceramic disc cartridge
- Dual control operation
- Pull out spout with push button
- Flexible supply lines included

Optional Accessories:
Escutcheon, 10"



D510013001C
D510013001BN



Kitchen Faucets Model No. List Price Description



AB50 3351C
Chrome

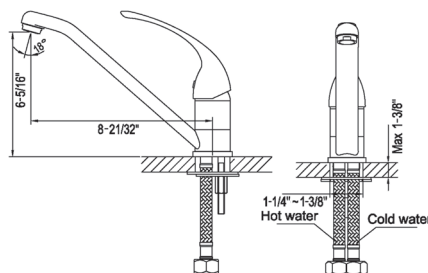
AB50 3351BN
Brushed Nickel

- Single-Lever Kitchen Faucet
- Solid brass construction
 - Ceramic disc cartridge
 - Single control operation
 - Flexible supply lines included

Optional Accessories:
Escutcheon, 10"



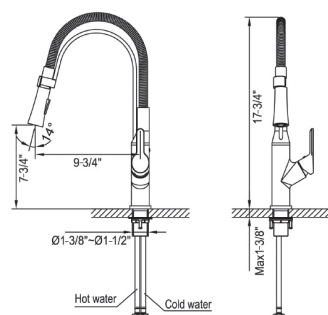
D510013001C
D510013001BN



AB50 3364C
Chrome

AB50 3364BN
Brushed Nickel

- Single-Lever Spring Pull-Out Spray Faucet
- Solid brass construction
 - Ceramic disc cartridge
 - Dual control operation
 - Pull out spout with push button
 - Flexible supply lines included



Optional Accessories:
Escutcheon, 10"



D510013001C
D510013001BN



Kitchen Faucets Model No. List Price Description



AB50 3670C
Chrome

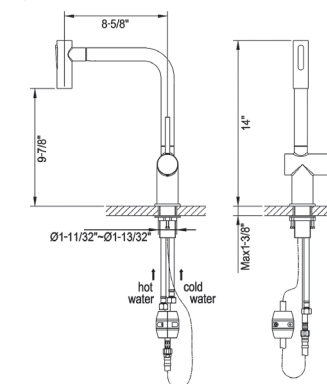
AB50 3670BN
Brushed Nickel

- Single-Lever Pull-Down Spray Faucet
- Solid brass construction
 - Ceramic disc cartridge
 - Dual control operation
 - Pull out spout with push button
 - Flexible supply lines included

Optional Accessories:
Escutcheon, 10"



D510013001C
D510013001BN



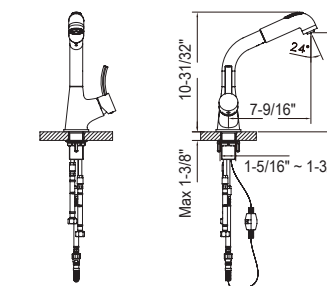
AB50 3703C
Chrome

- Single-Lever Pull-Out Spray Faucet
- Solid brass construction
 - Ceramic disc cartridge
 - Dual control operation
 - Pull out spout with push button
 - Flexible supply lines included

Optional Accessories:
Escutcheon, 10"



D510013001C



AB50 3707C
Chrome

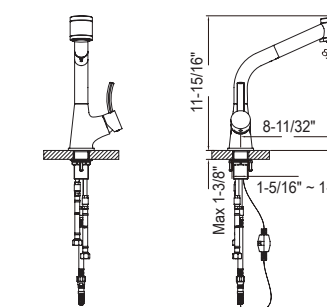
AB50 3707BN
Brushed Nickel

- Single-Lever Pull-Out Spray Faucet
- Solid brass construction
 - Ceramic disc cartridge
 - Dual control operation
 - Pull out spout with switch
 - Flexible supply lines included


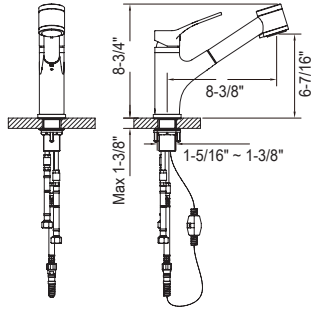

Optional Accessories:
Escutcheon, 10"




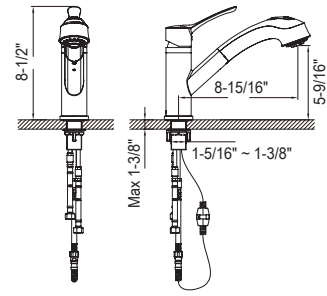

D510013001C
D510013001BN


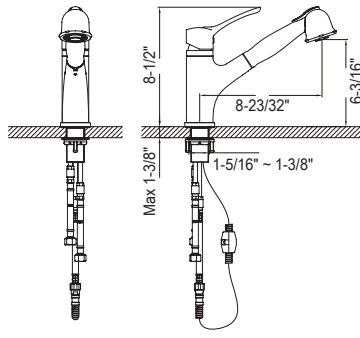



Kitchen Faucets	Model No.	List Price	Description
	AB50 3708C Chrome		Single-Lever Pull-Out Spray Faucet <ul style="list-style-type: none"> • Solid brass construction • Ceramic disc cartridge • Dual control operation • Pull out spout with push button • Flexible supply lines included
	AB50 3708BN Brushed Nickel		
			Optional Accessories: Escutcheon, 10"  D510013001C D510013001BN

Kitchen Faucets	Model No.	List Price	Description
	AB50 3709C Chrome		Single-Lever Pull-Out Spray Faucet <ul style="list-style-type: none"> • Solid brass construction • Ceramic disc cartridge • Dual control operation • Pull out spout with switch • Flexible supply lines included
	AB50 3709BN Brushed Nickel		
			Optional Accessories: Escutcheon, 10"  D510013001C D510013001BN



	AB50 3711C Chrome		Single-Lever Pull-Out Spray Faucet <ul style="list-style-type: none"> • Solid brass construction • Ceramic disc cartridge • Dual control operation • Pull out spout with push button • Flexible supply lines included
	AB50 3711BN Brushed Nickel		
			Optional Accessories: Escutcheon, 10"  D510013001C D510013001BN

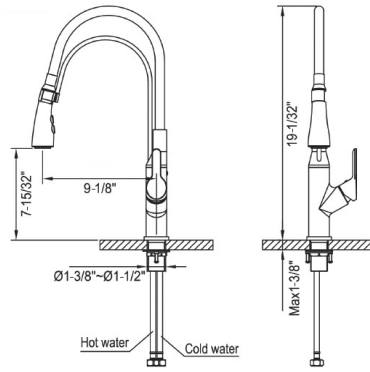
	AB50 3712C Chrome		Single-Lever Pull-Out Spray Faucet <ul style="list-style-type: none"> • Solid brass construction • Ceramic disc cartridge • Dual control operation • Pull out spout with push button • Flexible supply lines included
	AB50 3712BN Brushed Nickel		
			Optional Accessories: Escutcheon, 10"  D510013001C D510013001BN

Kitchen Faucets Model No. List Price Description



AB50 3729C
Chrome

AB50 3729BN
Brushed Nickel



- Single-Lever Pull-Out Spray Faucet
- Solid brass construction
 - Ceramic disc cartridge
 - Dual control operation
 - Pull out spout with push button
 - Flexible supply lines included

Optional Accessories:
Escutcheon, 10"



D510013001C
D510013001BN



AB50 3732C
Chrome

AB50 3732BN
Brushed Nickel

AB50 3732MB
Matte Black

AB50 3732MAG
Matte Gold

Matte Gold

- Single-Lever with Two Functions Pull-Out Spray Faucet
- Solid brass construction
 - Ceramic disc cartridge
 - Magnetic Docking
 - Dual control operation
 - Pull out spout with push button
 - Flexible supply lines included

Optional Accessories:
Escutcheon, 10"



D510013001C
D510013001BN
D510013001MB
D510013001MAG



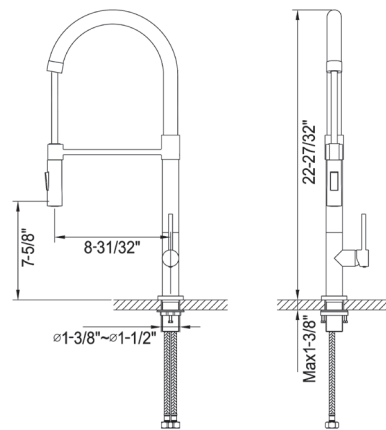
Chrome



Matte Black



Brushed Nickel



Kitchen Faucets Model No. List Price Description



AB50 3776C
Chrome

AB50 3776BN
Brushed Nickel

AB50 3776MB
Matte Black

AB50 3776MAG
Matte Gold

Matte Gold

- Single-Lever Pull-Out Spray Faucet
- Solid brass construction
 - Ceramic disc cartridge
 - Dual control operation
 - Pull out spout with push button
 - Flexible supply lines included

Optional Accessories:
Escutcheon, 10"



D510013001C
D510013001BN

D510013001MB
D510013001MAG



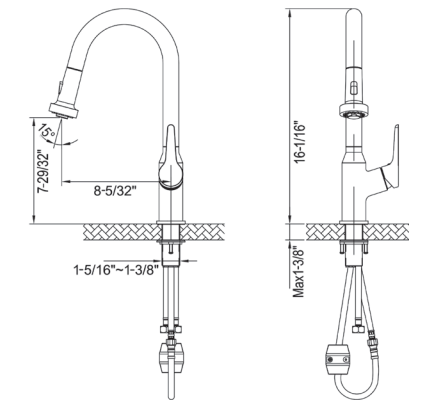
Matte Black



Chrome



Brushed Nickel



AB50 3777C
Chrome

AB50 3777BN
Brushed Nickel

AB50 3777MB
Matte Black

AB50 3777MAG
Matte Gold

Matte Black

- Single-Lever Spring Pull-Out Faucet
- Solid brass construction
 - Ceramic disc cartridge
 - Dual control operation
 - Pull out spout with push button
 - Flexible supply lines included

Optional Accessories:
Escutcheon, 10"



D510013001C
D510013001BN

D510013001MB
D510013001MAG



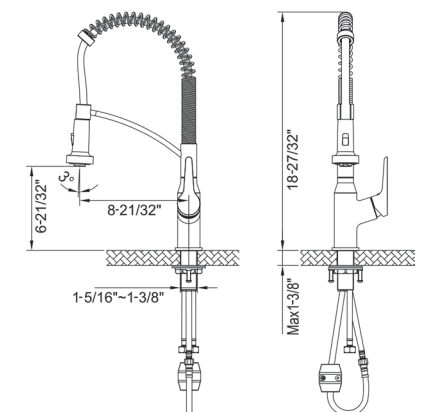
Matte Gold



Chrome



Brushed Nickel



Kitchen Faucets Model No. List Price Description



Matte Gold

AB50 3778C
Chrome

AB50 3778BN
Brushed Nickel

AB50 3778MB
Matte Black

AB50 3778MAG
Matte Gold

- Single-Lever Pull-Down Spray Faucet
- Solid brass construction
 - Ceramic disc cartridge
 - Dual control operation
 - Pull out spout with push button
 - Flexible supply lines included

Optional Accessories:
Escutcheon, 10"



D510013001C
D510013001BN

D510013001MB
D510013001MAG



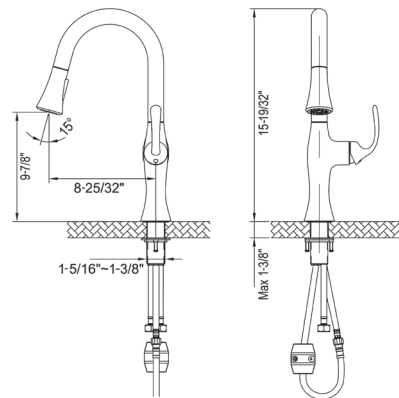
Matte Black



Chrome



Brushed Nickel



AB50 3787C
Chrome

AB50 3787BN
Brushed Nickel

AB50 3787MB
Matte Black

AB50 3787MAG
Matte Gold

- 2 Way Spring Pull-Out Faucet
- Solid brass construction
 - Ceramic disc cartridge
 - Dual control operation
 - Pull out spout with push button
 - Flexible supply lines included

Optional Accessories:
Escutcheon, 10"



D510013001C
D510013001BN

D510013001MB
D510013001MAG



Matte Black



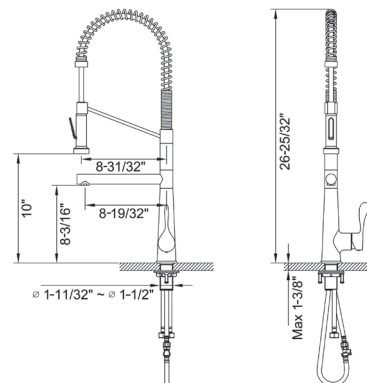
Matte Gold



Chrome



Brushed Nickel





Kitchen Faucets Model No. List Price Description



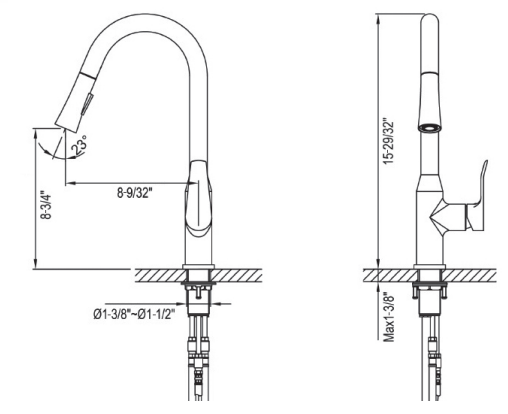
AB53 3498C
Chrome
AB53 3498BN
Brushed Nickel

- Single-Lever Pull-down Spray Faucet
- Solid brass construction
 - Ceramic disc cartridge
 - Dual control operation
 - Pull out spout with push button
 - Flexible supply lines included

Optional Accessories:
Escutcheon, 10"



D510013001C
D510013001BN



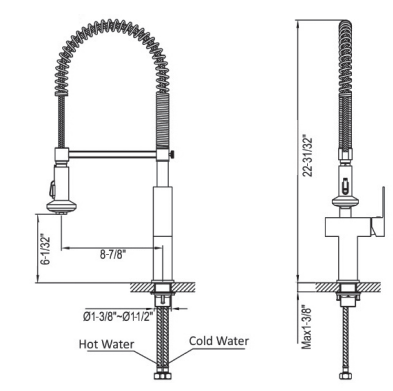
AB75 3383C
Chrome
AB75 3383BN
Brushed Nickel

- Single-Lever Spring Pull-out Faucet
- Solid brass construction
 - Ceramic disc cartridge
 - Dual control operation
 - Pull out spout with push button
 - Flexible supply lines included

Optional Accessories:
Escutcheon, 10"



D510013001C
D510013001BN



Bar Faucets	Model No.	List Price	Description
-------------	-----------	------------	-------------



AB50 3714C
Chrome

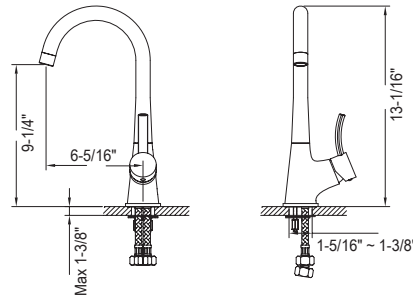
AB50 3714BN
Brushed Nickel

- Single-Lever Bar Faucet
- Solid brass construction
 - Ceramic disc cartridge
 - Single control operation
 - Flexible supply lines included

Optional Accessories:
Escutcheon, 6"



D520013001C
D520013001BN



Faucets

Faucets



AB50 3715C
Chrome

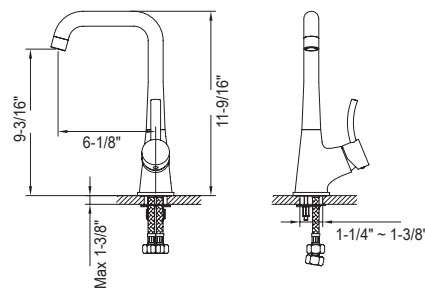
AB50 3715BN
Brushed Nickel

- Single-Lever Bar Faucet
- Solid brass construction
 - Ceramic disc cartridge
 - Single control operation
 - Flexible supply lines included

Optional Accessories:
Escutcheon, 6"



D520013001C
D520013001BN



MODEL	Description	\$
FAUCETS-Kitchen & Bar		
AB04 3276BN	Single-lever kitchen faucet with side-spray, Brushed Nickel	\$367
AB04 3276C	Single-lever kitchen faucet with side-spray, Chrome	\$316
AB04 3277BN	Single-lever pull-out kitchen faucet, Brushed Nickel	\$370
AB04 3277C	Single-lever pull-out kitchen faucet, Chrome	\$327
AB04 3277DBR	Single-lever pull-out kitchen faucet, Dark Brown Finished	\$509
AB06 3292BN	Single-lever pull-out kitchen faucet, Brushed Nickel	\$413
AB06 3292C	Single-lever pull-out kitchen faucet, Chrome	\$351
AB06 3292DBR	Single-lever pull-out kitchen faucet, Dark Brown Finished	\$509
AB06 3296C	Single-lever kitchen faucet with side-spray, Chrome	\$351
AB08 3152BN	Single-lever kitchen faucet, Brushed Nickel	\$395
AB08 3152C	Single-lever kitchen faucet, Chrome	\$334
AB08 3155BN	Single-lever kitchen faucet with side-spray, Brushed Nickel	\$431
AB08 3155C	Single-lever kitchen faucet with side-spray, Chrome	\$367
AB08 3156BN	2-handle widespread kitchen faucet with sidespray, Brushed Nickel	\$467
AB08 3156C	2-handle widespread kitchen faucet with sidespray, Chrome	\$397
AB08 3157BN	Single-lever pull-out kitchen faucet, Brushed Nickel	\$440
AB08 3157C	Single-lever pull-out kitchen faucet, Chrome	\$375
AB33 3241BN	Pull-Out Kitchen Faucet, Brushed Nickel	\$425
AB33 3241C	Pull-Out Kitchen Faucet, Chrome	\$384
AB50 3079BN	Pull-Out Spray Kitchen Faucet, Brushed Nickel	\$400
AB50 3079C	Pull-Out Spray Kitchen Faucet, Chrome	\$351
AB50 3084BN	Pull-Out Kitchen Faucet, Brushed Nickel	\$425
AB50 3084C	Pull-Out Kitchen Faucet, Chrome	\$370
AB50 3091BN	Single lever kitchen faucet with push button pull out spray, Brushed Nickel	\$425
AB50 3091C	Single lever kitchen faucet with push button pull out sprayer, Chrome	\$370
AB50 3178C	Single-Lever Kitchen Faucet with Side Spray, Chrome	\$327
AB50 3262C	Single-lever pull down & Sensor spray kitchen faucet, Chrome	\$500
AB50 3262BN	Single-lever pull down & Sensor spray kitchen faucet, Brushed Nickel	\$573
AB50 3262MAG	Single-lever pull down & Sensor spray kitchen faucet, Matte Gold	\$573
AB50 3262MB	Single-lever pull down & Sensor spray kitchen faucet, Matte Black	\$573
AB50 3351BN	Single-lever kitchen faucet, Brushed Nickel	\$231
AB50 3351C	Single-lever kitchen faucet, Chrome	\$207
AB50 3364BN	Single-lever kitchen pull out faucet, Brushed Nickel	\$437
AB50 3364C	Single-lever kitchen pull out faucet, Chrome	\$388
AB50 3702BN	Single-Lever Pull-Out Spray Kitchen Faucet, Brushed Nickel	\$425
AB50 3702C	Single-Lever Pull-Out Spray Kitchen Faucet, Chrome	\$349
AB50 3703BN	Single-Lever Pull-Out Spray Kitchen Faucet, Brushed Nickel	\$409
AB50 3703C	Single-Lever Pull-Out Spray Kitchen Faucet, Chrome	\$354
AB50 3707BN	Single-Lever Pull-Out Spray Kitchen Faucet, Brushed Nickel	\$419
AB50 3707C	Single-Lever Pull-Out Spray Kitchen Faucet, Chrome	\$360
AB50 3708BN	Single-Lever Pull-Out Spray Kitchen Faucet, Brushed Nickel	\$449
AB50 3708C	Single-Lever Pull-Out Spray Kitchen Faucet, Chrome	\$370
AB50 3709BN	Single-Lever Pull-Out Spray Kitchen Faucet, Brushed Nickel	\$409
AB50 3709C	Single-Lever Pull-Out Spray Kitchen Faucet, Chrome	\$351
AB50 3711BN	Single-Lever Pull-Out Spray Kitchen Faucet, Brushed Nickel	\$443
AB50 3711C	Single-Lever Pull-Out Spray Kitchen Faucet, Chrome	\$364
AB50 3712BN	Single-Lever Pull-Out Spray Kitchen Faucet, Brushed Nickel	\$443
AB50 3712C	Single-Lever Pull-Out Spray Kitchen Faucet, Chrome	\$364
AB50 3714BN	Single-Lever Bar Faucet, Brushed Nickel	\$361
AB50 3714C	Single-Lever Bar Faucet, Chrome	\$288
AB50 3715BN	Single-Lever Bar Faucet, Brushed Nickel	\$396
AB50 3715C	Single-Lever Bar Faucet, Chrome	\$316
AB50 3729BN	Single-lever kitchen pull out faucet, Brushed Nickel	\$411
AB50 3729C	Single-lever kitchen pull out faucet, Chrome	\$364
AB50 3732C	Single Lever Pull-down Kitchen Faucet, Chrome	\$363
AB50 3732BN	Single Lever Pull-down Kitchen Faucet, Brushed Nickel	\$416
AB50 3732MAG	Single Lever Pull-down Kitchen Faucet, Matte Gold	\$447
AB50 3732MB	Single Lever Pull-down Kitchen Faucet, Matte Black	\$447
AB50 3776C	Single Lever Pull-down Kitchen Faucet, Chrome	\$358
AB50 3776BN	Single Lever Pull-down Kitchen Faucet, Brushed Nickel	\$395
AB50 3776MAG	Single Lever Pull-down Kitchen Faucet, Matte Gold	\$416
AB50 3776MB	Single Lever Pull-down Kitchen Faucet, Matte Black	\$416
AB50 3777C	Single Lever Pull-down Kitchen Faucet, Chrome	\$384
AB50 3777BN	Single Lever Pull-down Kitchen Faucet, Brushed Nickel	\$426
AB50 3777MAG	Single Lever Pull-down Kitchen Faucet, Matte Gold	\$458
AB50 3777MB	Single Lever Pull-down Kitchen Faucet, Matte Black	\$458

*El envío individual de accesorios tiene un costo de flete aparte.

MODEL	Description	\$
AB50 3778C	Single Lever Pull-down Kitchen Faucet, Chrome	\$353
AB50 3778BN	Single Lever Pull-down Kitchen Faucet, Brushed Nickel	\$395
AB50 3778MAG	Single Lever Pull-down Kitchen Faucet, Matte Gold	\$395
AB50 3778MB	Single Lever Pull-down Kitchen Faucet, Matte Black	\$395
AB50 3787C	2 Way Spring Pull-down Kitchen Faucet, Chrome	\$531
AB50 3787BN	2 Way Spring Pull-down Kitchen Faucet, Brushed Nickel	\$594
AB50 3787MAG	2 Way Spring Pull-down Kitchen Faucet, Matte Gold	\$657
AB50 3787MB	2 Way Spring Pull-down Kitchen Faucet, Matte Black	\$657
AB27 3602C	Single lever pull-down spray sink faucet_Chrome	\$388
AB27 3602BN	Single lever pull-down spray sink faucet_Brushed Nickel	\$436
AB30 3788C	Single-handle pull down spray sink mixer_Chrome	\$400
AB30 3788BN	Single-handle pull down spray sink mixer_Brushed Nickel	\$449
AB50 3316C	Single-lever pull down spray sink mixer_Chrome	\$379
AB50 3316BN	Single-lever pull down spray sink mixer_Brushed Nickel	\$428
AB50 3670C	Single-lever pull out spray sink mixer_Chrome	\$388
AB50 3670BN	Single-lever pull out spray sink mixer_Brushed Nickel	\$443
AB53 3498BN	Single-Lever kitchen pull down faucet, Brushed Nickel	\$376
AB53 3498C	Single-Lever kitchen pull down faucet, Chrome	\$328
AB75 3383BN	Single-lever kitchen spring pull out faucet, Brushed Nickel	\$480
AB75 3383C	Single-lever kitchen spring pull out faucet, Chrome	\$425
FAUCETS-Accessories		
D220013901BN	Cross Handles, Brushed Nickel	\$74
D220013901C	Cross Handles, Chrome	\$59
D510013001BN	10" Escutcheon for kitchen faucets, 1 hole, Brushed Nickel	\$37
D510013001C	10" Escutcheon for kitchen faucets, 1 hole, Chrome	\$32
D510013001MB	10" Escutcheon for kitchen faucets, 1 hole, Matte Black	\$37
D510013001MAG	10" Escutcheon for kitchen faucets, 1 hole, Matte Gold	\$37
D520013001BN	6" Escutcheon for bar/lavatory faucets, 1 hole, Brushed Nickel	\$17
D520013001C	6" Escutcheon for bar/lavatory faucets, 1 hole, Chrome	\$14
D520013001MB	6" Escutcheon for bar/lavatory faucets, 1 hole, Matte Black	\$17
D520013001MAG	6" Escutcheon for bar/lavatory faucets, 1 hole, Matte Gold	\$17
D90 0010BN	Standard Pop Up Drain with Lift Rod, Brushed Nickel	\$36
D90 0010C	Standard Pop Up Drain with Lift Rod, Chrome	\$32
D90 0010DBR	Standard Pop Up Drain with Lift Rod, Dark Brown	\$37
D90 0010MAG	Standard Pop Up Drain with Lift Rod, Matte Gold	\$37
D90 0010MB	Standard Pop Up Drain with Lift Rod, Matte Black	\$37
D90 0056BN	Standard Pop Up Drain for AB77 1584BN, Brushed Nickel	\$43
D90 0056C	Standard Pop Up Drain for AB77 1584C, Chrome	\$37
POP110	Pop-up drain for lavatory faucets, Chrome	\$27
POP111	Pop-up drain for lavatory faucets, Satin Nickel	\$32
POP112	Pop-up drain for lavatory faucets, Matte Black	\$32
POP113	Pop-up drain for lavatory faucets, Matte Gold	\$32
POP210	Vessel Sink Pop-Up Drain, Chrome	\$40
POP211	Vessel Sink Pop-Up Drain, Brushed Nickel	\$48
POP212	Vessel Sink Pop-Up Drain, Nanometer Black	\$74
POP213	Vessel Sink Pop-Up Drain, Rose Gold	\$74
POP214	Vessel Sink Pop-Up Drain, Matte Gold	\$74
SINK ACCESSORIES		
BK321710	Basket for BSF201710, SRF251710, SRF281710, SRF321710	\$78
BK3626	Stainless Steel Basket for DAFF3026, DAFF3026G, DAFF3326, DAFF3326G, DAFF3626, DAFF3626G	\$66
BK710	Basket for SRU281610 and SRU311710, Stainless Steel: 7-13/16"L x 4"W x 3-1/8"H	\$34
BT0252201	Stainless Steel Under Sink Tray, 27" Cabinet: 25"Wx22"Lx1"D	\$144
BT0282201	Stainless Steel Under Sink Tray, 30" Cabinet: 28"Wx22"Lx1"D	\$154
BT0312201	Stainless Steel Under Sink Tray, 33" Cabinet: 31"Wx22"Lx1"D	\$166
BT0342201	Stainless Steel Under Sink Tray, 36" Cabinet: 34"Wx22"Lx1"D	\$176
CB016	Cutting Board for CH333 Solid Redwood	\$86
CB017	Cutting Board for SSC3636, SSC3636G, DAF3320, DAF3320C, DAF3321L, DSC301717, DSU3017, DSQ2417, DSQ2817, DSQ2917, DSQ301515: 18-3/8" x 11-13/16" x 1-3/16"	\$87
CB018	Cutting Board for DSU3018:12"x16-3/4"	\$91
CB019	Cutting Board for SSC3336, SSC3336G, ASU106, ASU108L/R, ASU109, ASU2316, SRU311317L: 18-3/8" x 11-13/16" x 1-3/16"	\$87
CB104	Cutting Board for CH366: 16" x 11-7/8" x 3/4"	\$59
CB118	Cutting Board for DSU3118, 13-5/8" x 18-3/8" x 1-1/8"	\$91
CB120	Cutting Board for DSU4120: 14" x 18" x 1-1/8"	\$91
CB322	Cutting Board for AST3322: 16-3/4" x 11" x 7/8"	\$68
CB710	Cutting Board for DAFF3026, DAFF3026G, DAFF3326, DAFF3326G, DAFF3626, DAFF3626G, SRF251710, SRF281710, SRF321710, SRU281610, SRU311710: 17-7/16" x 11-3/16" x 1-3/16"	\$91

*El envío individual de accesorios tiene un costo de flete aparte.

MODEL	Description	\$
CB913	Cutting Board for CH366: 13-1/4" x 8-3/4" x 3/4"	\$47
COL018	Stainless Steel Colander for DAF3321L, DSQ2817, DSQ2917, DSQ301515, DSU2517, DSU3018: 16-7/8" x 8-7/8" x 4-3/10"	\$186
COL118	Stainless Steel Colander for DSU3118: 15-4/5" x 8-7/8" x 4-3/10"	\$174
COL120	Stainless Steel Colander for DSU4120: 17-1/5" x 8-7/8" x 4-3/10"	\$186
COL417	Stainless Steel Colander for DSQ2417: 10" x 16-7/8" x 1-1/4"	\$87
COL710	Stainless Steel Colander for DAFF3026, DAFF3026G, DAFF3326, DAFF3326G, DAFF3626, DAFF3626G, SRF251710, SRF281710, SRF321710, SRU281610, SRU311710: 10" x 17-7/16" x 1-1/4"	\$144
DB322	Drain Board for AST322, 16-3/8" x 9-1/2"	\$53
DB366	Drain Board for CH366, 13-1/2" x 15-1/8" x 1/2"	\$93
DM001	Universal Drain Mat(Compatible with all Dawn sinks)	\$176
DM001BE	Drain Mat for All Models-Blue	\$176
DM001YW	Drain Mat for All Models-Yellow	\$176
DM018	Drain Mat for DAF3321L, DSU3018, DSQ2417, DSQ2817, DSQ2917, DSQ301515	\$117
DM118	Drain Mat for DSU3118	\$140
DM118BE	Drain Mat for DSU3118-Blue	\$140
DM118YW	Drain Mat for DSU3118-Yellow	\$140
DM710	Drain Mat for SRF251710, SRF281710, SRF321710, SRU281610, SRU311710, BSF201710	\$128
DM710BE	Drain Mat for SRU311710 & SRU281610-Blue	\$128
DM710YW	Drain Mat for SRU311710 & SRU281610-Yellow	\$128
G017	Bottom Grid for DSC301717, 15-9/16" x 13-9/16"	\$96
G030	Bottom Grid for ASU101, 17" x 16-1/4"	\$91
G031	Bottom Grid for DAF3320, DAF3320C and DSU3017, 28-5/8" x 15-1/4"; For use with cabinets: SSC3636G, SSC3636	\$122
G032	Bottom Grid for ASU105, ASU107L/R (Large Bowl), 18-3/8" x 16-3/8"	\$93
G033	Bottom Grid for ASU106; For use with cabinets: SSC3336 & SSC3336G; 26-3/4" x 14-1/2"	\$117
G034	Bottom Grid for ASU103, ASU108L/R (Large Bowl), ASU110L/R (Large Bowl), Size: 17-3/8" x 13-1/4"	\$84
G035	Bottom Grid for ASU107L/R (Small Bowl), ASU110L/R (Small Bowl), BS1215, Size: 10-5/8" x 13-7/8"	\$75
G036	Bottom Grid for ASU102, ASU109 and ASU108L/R (Small Bowl), 15" x 12-1/4"	\$80
G037	Bottom Grid for DSU3118, 28-3/8" x 16"	\$144
G038	Bottom Grid for DSU1916 and DSU301916R(Large Bowl), 17-1/2" x 14-1/2"	\$100
G039	Bottom Grid for ASU2316 and DSU4120, 21-1/4" x 14-1/2"	\$105
G040	Bottom Grid for DSU3018, 17-1/2" x 14-1/2"	\$100
G060	Bottom Grid for DSQ3116 & XSR311610, 30-5/8" x 15-1/2"	\$309
G061	Bottom Grid for DSQ2816 & XSR281610, 27-5/8" x 15-9/16"	\$260
G062	Bottom Grid for ADAUS241607, DSQ241607 and DSQ241609, 23-9/16" x 15-9/16"	\$237
G063	Bottom Grid for DAF3321L(Small Bowl) and DSQ301515 (small bowl): 11-3/8" x 15" x 1"	\$104
G064	Bottom Grid for DAF3321L(large bowl) and DSQ301515 (large bowl): 16-1/2" x 15" x 1"	\$134
G080	Bottom Grid for SRU201609 and XSR201609, 19-5/8" x 14-7/8"	\$100
G081	Bottom Grid for BS121307-N, 11-3/4" x 10-3/8"	\$64
G082	Bottom Grid for BS131507-N and SRU301616L/R-N (Small Bowl), 12-3/16" x 14-3/4"	\$76
G083	Bottom Grid for BS161609-N, SRU301616L/R-N (Large Bowl), SRU331616-N, XSR321616, 14-3/4" x 14-3/4"	\$82
G517	Stainless Steel Bottom Grid for DSU2517	\$114
G610	Stainless Steel Bottom Grid for SRU251610-N, XSR251610	\$110
G710	Bottom Grid for SRU311710	\$306
G810	Bottom Grid for SRU281610, SRF321710	\$249
G811	Bottom Grid for SRF281710	\$221
G812	Bottom Grid for SRF251710	\$210
G813	Bottom Grid for BRF201710	\$176
Knife Set 322	Stainless steel knife set for AST3322, including ALK322 large knife, AMK322 medium knife, ASK322 small knife and ASC322 scissors	\$154
KS322	Knife Shelf for AST3322, Stainless Steel	\$34
PD1717	Acrylic Glass Divider for DSC301717: 17-1/32" x 10" x 1"	\$198
SD-01	Standard 3-1/2" Sink Strainer	\$18
SD6306BN	Soap Dispenser, Brushed Nickel	\$66
SD6306C	Soap Dispenser, Chrome	\$50
SD6306DBR	Soap Dispenser, Dark Brown	\$69
SD6324BN	Soap Dispenser, Brushed Nickel	\$72
SD6324C	Soap Dispenser, Chrome	\$58
SD6324DBR	Soap Dispenser, Dark Brown	\$76
SD6325BN	Soap Dispenser, Brushed Nickel	\$66
SD6325C	Soap Dispenser, Chrome	\$50
SD6325DBR	Soap Dispenser, Dark Brown	\$69
T201710	Utensil Shelf for BSF201710	\$88
T321710	Utensil Shelf for SRF251710, SRF281710, SRF321710	\$88
T3026	Utensil Shelf for DAFF3026, DAFF3026G	\$66

*El envío individual de accesorios tiene un costo de flete aparte.

MODEL	Description	\$
T3326	Utensil Shelf for DAFF3326, DAFF3326G	\$72
T3626	Utensil Shelf for DAFF3626, DAFF3626G	\$78
T710	Tray for DAFF3026, DAFF3026G, DAFF3326, DAFF3326G, DAFF3626, DAFF3626G, SRF251710, SRF281710, SRF321710, SRU281610, SRU311710, 12-15/16" x 17-1/2" x 5"	\$204
T817	Tray for DSQ2417, DSQ2817, 11" x 16-3/4" x 5-3/8"	\$162
T917	Tray for DSQ2917, 11" x 16-3/4" x 5-1/8"	\$149
UH322	Utensil Holder for AST3322, Stainless Steel	\$22
SINKS-Top Mount		
3233	Top Mount Bar Sink, 20G: 22"L x 17-3/4"W x 8"D (outside)	\$295
3235	Top Mount Round Bar Sink, 20G: Dia.16-1/2" x 7-1/4"D (outside)	\$286
ADAT250700	ADA compliant-stainless steel topmount single bowl sink; 20G; Overall Size: 25"L x 22"W x 7"	\$277
AST102	Top Mount Equal Double Bowl, 20G: 33-1/16"L x 22"W x 8"D (outside)	\$408
AST103	Top Mount Single Bowl, 20G: 24-3/4"L x 22"W x 8"D (outside)	\$331
AST104	Top Mount Single Bowl, 20G: 33"L x 22"W x 10-1/2"D	\$573
AST3322	Top Mount Equal Double Bowl, 20G: 33"L x 22"W x 8-1/4"D (outside), comes with UH322 Utensil Holder and KS322 Knife Shelf	\$448
BST1515	Top Mount Bar Sink, 20G: 14-7/8"L x 15-1/4"W x 7-3/8"D (outside)	\$238
CH333	Top Mount Equal Double Round Bowl, 20G: 34-1/4"L x 18-1/8"W x 7-1/2"D (outside), Basin Diameter 15"	\$392
CH355	Top Mount Double Bowl (Small Bowl on Right), 20G: 34-1/4"L x 19-11/16"W x 7-1/2"D (outside)	\$443
CH365	Top Mount Equal Double Bowl, 20G: 38-3/4"L x 19-1/8"W x 8-3/4"D (outside)	\$633
CH366	Top Mount Double Bowl, 20G: 45-7/8"L x 19-7/8"W x 9-1/2"D (Large)/7-1/4" (Small) (outside)	\$781
CH368	Top Mount Single Bowl, 20G: 34-1/2"L x 19-7/8"W x 9-1/2"D (outside)	\$597
SINKS-Undermount		
3237	Undermount Bar Sink, 20G: 13-1/2"L x 15-1/16"W x 6-1/8"D (outside)	\$188
3238	Undermount Bar Sink, 20G: 18-3/16"L x 16-5/8"W x 7-1/4"D (outside)	\$273
ADAUS240700	Handmade stainless steel undermount single bowl sink with straight sink edges and near zero radius corners; 18G; Overall Size: 26"L x 18"W x 6-7/8"D	\$410
ADAUS241607	Handmade stainless steel undermount single bowl sink with straight sink edges and near zero radius corners; 18G; Overall Size: 26"L x 18"W x 6-7/8"D	\$410
ADAUS280700	Handmade stainless steel undermount single bowl sink with straight sink edges and near zero radius corners; 18G; Overall Size: 30"L x 18"W x 6-7/8"D	\$476
ADAUS300707	Handmade stainless steel undermount double bowl sink with straight sink edges and near zero radius corners; 18G; Overall Size: 30"L x 18"W x 6-7/8"	\$520
ASU101	Undermount Single Bowl, 18G: 20-1/2"L x 21-1/4"W x 8"D (outside)	\$377
ASU102	Undermount Single Bowl, 18G: 18-1/2"L x 15-3/4"W x 8-3/4"D (outside)	\$356
ASU103	Undermount Single Bowl, 18G: 20-7/8"L x 16-7/8"W x 9-5/8"D (outside)	\$369
ASU105	Undermount Single Bowl, 18G: 22"L x 20"W x 10"D (outside)	\$443
ASU106	Undermount Single Bowl, 18G: 30-3/8"L x 18-1/2"W x 10-5/8"D (outside)	\$611
ASU107L	Undermount Double Bowl (Small Bowl on Left), 18G: 35"L x 20"W x 10"D (Large)/7-1/2"D (Small) (outside)	\$695
ASU107R	Undermount Double Bowl (Small Bowl on Right), 18G: 35"L x 20"W x 10"D (Large)/7-1/2"D (Small) (outside)	\$695
ASU108L	Undermount Double Bowl (Small Bowl on Left), 18G: 31-7/8"L x 20-7/8"W x 9-5/8"D (Large)/8-3/4"D (Small) (outside)	\$669
ASU108R	Undermount Double Bowl (Small Bowl on Right), 18G: 31-7/8"L x 20-7/8"W x 9-5/8"D (Large)/8-3/4"D (Small) (outside)	\$669
ASU109	Undermount Equal Double Bowl, 18G: 30-3/4"L x 18-1/2"W x 8-3/4"D (outside)	\$571
ASU110L	Undermount Double Bowl (Small Bowl on Left), 18G: 30"L x 20-7/8"W x 9-5/8"D (Large)/7-1/8"D (Small) (outside)	\$644
ASU110R	Undermount Double Bowl (Small Bowl on Right), 18G: 30"L x 20-7/8"W x 9-5/8"D (Large)/7-1/8"D (Small) (outside)	\$644
ASU2316	Undermount Single Bowl, 18G: 25"L x 18-1/8"W x 10"D (outside)	\$586
BS121307-N	Undermount Bar Sink, 18G: 13-5/16"L x 14-7/8"W x 6-11/16"D (outside)	\$262
BS1215	Undermount Bar Sink, 18G: 11-3/4"L x 15"W x 7-1/8"D (inside)	\$262
BS131507-N	Undermount Bar Sink, 18G: 14-7/8"L x 17-1/4"W x 7-7/8"D (outside)	\$297
BS161609-N	Undermount Bar Sink, 18G: 17-5/32"L x 17-5/32"W x 9-1/16"D (outside)	\$334
BSF201710	Undermount Bar Sink, 18G: 21-5/8"L x 19-3/16"W x 10"D	\$662
BSQ121508	Dual Mount Square Bar Sink, 18G: 12"L x 15"W x 8"D (inside)	\$538
BSQ131610	Dual Mount Square Bar Sink, 18G: 13"L x 16"W x 10"D (inside)	\$577
DAF3320	Apron Front Sink/Straight, 16G: 33"L x 20-3/4"W x 10-3/8"D (outside)	\$1,415
DAF3320C	Apron Front Sink/Curved, 16G: 33"L x 22-1/4"W x 10-3/8"D (outside)	\$1,440
DAF3321L	Apron Front Square Sink/Straight, Zero Radius Corners, 18G: 33"L x 21"W x 10"D	\$1,681
DAFF3026	Apron Front Sink/Straight, 18G: 30"L x 26"W x 10"D(outside)	\$1,755
DAFF3026G	Apron Front Sink/Straight(with black glass panel decorated), 18G: 30"L x 26"W x 10"D(outside)	\$1,865
DAFF3326	Apron Front Sink/Straight, 18G: 33"L x 26"W x 10"D(outside)	\$1,979
DAF3326G	Apron Front Sink/Straight(with black glass panel decorated), 18G: 33"L x 26"W x 10"D(outside)	\$2,090
DAFF3626	Apron Front Sink/Straight, 18G: 36"L x 26"W x 10"D(outside)	\$2,178
DAFF3626G	Apron Front Sink/Straight(with black glass panel decorated), 18G: 36"L x 26"W x 10"D(outside)	\$2,288
DSC301717	Undermount Single/Combination: 30-1/2"L x 17"W x 10-3/8"D, 16G, comes with PD1717 Acrylic Glass Divider	\$1,713
DSQ241607	Dual Mount Square Single Bowl, 18G: 24"L x 17"W x 7"D	\$564
DSQ241609	Dual Mount Square Single Bowl, 18G: 24"L x 16"W x 9"D (inside)	\$601

*El envío individual de accesorios tiene un costo de flete aparte.

MODEL	Description	\$
DSQ2417	Dual Mount Square Single Bowl, 18G: 26-3/8"L x 18-7/8"W x 9-1/2"D (outside)	\$989
DSQ271616	Dual Mount Square Equal Double Bowl, 18G: 29"L x 18"W x 10-1/2"D (outside)	\$1,062
DSQ2816	Dual Mount Square Single Bowl, 18G: 28"L x 16"W x 10"D (inside)	\$710
DSQ2817	Dual Mount Square Single Bowl, 18G: 30-3/4"L x 18-7/8"W x 9-1/2"D (outside)	\$1,001
DSQ2917	Dual Mount Square Single Bowl, 18G: 31-1/2"L x 18-7/8"W x 10"D (outside)	\$1,179
DSQ301515	Dual Mount Square Double Bowl (Small Bowl on Left), 18G: 32"L x 19"W x 10"D (outside)	\$1,088
DSQ3116	Dual Mount Square Single Bowl, 18G: 33"L x 18"W x 10-1/2"D (outside)	\$795
DSQ311815L	Dual Mount Square Double Bowl (Small Bowl on Left), 18G: 33"L x 20-1/2"W x 10-1/2"D (Large)/8-1/2"D (Small) (outside)	\$1,034
DSQ311815R	Dual Mount Square Double Bowl (Small Bowl on Right), 18G: 33"L x 20-1/2"W x 10-1/2"D (Large)/8-1/2"D (Small) (outside)	\$1,034
DSQD301610	Undermount Square Single Bowl, 18G: 32"L x 18-7/8"W x 10-1/2"D	\$1,075
DSU1916	Undermount Single Bowl, 16G: 19-1/8"L x 16-1/8" W x 10"D (inside)	\$601
DSU2517	Undermount Single Bowl, 16G: 25"L x 16-1/2"W x 10-1/2"D (inside)	\$771
DSU3017	Undermount Single Bowl, 16G: 30-1/2"L x 17"W x 10-3/8"D (inside)	\$977
DSU3018	Undermount Single Bowl with Stepped Basin, 18G: 33"L x 18-1/2"W x 10"D (outside)	\$1,051
DSU301916R	Undermount Double Bowl (Small Bowl on Right), 16G: 30"L x 19-1/8"W x 16-1/2"W (inside) (Small 8-3/4"D/Large 10"D)	\$926
DSU3118	Undermount Single Bowl, 16G: 31"L x 18"W x 10-1/2"D (inside)	\$1,062
DSU4120	Undermount Single Bowl with Extended Work Surface, 18G: 41-3/8"L x 19-3/4"W x 11-3/8"D (outside)	\$1,216
SRF251710	Undermount Small Corner Radius Single Bowl, 18G: 26-5/8"L x 19-3/16"W x 10"D	\$928
SRF281710	Undermount Small Corner Radius Single Bowl, 18G: 29-5/8"L x 19-3/16"W x 10"D	\$1,001
SRF321710	Undermount Small Corner Radius Single Bowl, 18G: 33-1/8"L x 19-3/16"W x 10"D	\$1,075
SRU201609-N	Undermount Small Radius Single Bowl, 18G: 20-1/2"L x 15-3/4"W x 8-3/4"D (inside)	\$382
SRU251610-N	Undermount Small Radius Single Bowl, 18G: 25"L x 16-1/2"W x 10"D (inside)	\$601
SRU281610	Undermount Small Radius Single Bowl, 18 Gauge, Size: 29-5/8" x 17-5/8" x 10" (outside), comes with Basket BK710	\$1,049
SRU301616L-N	Undermount Small Radius Double Bowl (Small Bowl on Left), 18G: 31-7/8"L x 17-3/16"W x 9"D (Large)/8"D (Small) (outside)	\$601
SRU301616R-N	Undermount Small Radius Double Bowl (Small Bowl on Right), 18G: 31-7/8"L x 17-3/16"W x 9"D (Large)/8"D (Small) (outside)	\$601
SRU311317L	Undermount Small Radius double Bowl, 18 Gauge, Size: 33" x 18-1/2" x 10" (outside)	\$627
SRU311710	Undermount Small Radius Single Bowl, 18 Gauge, Size: 33-9/16" x 19-9/16" x 10" (outside), comes with Basket BK710	\$1,179
SRU331616-N	Undermount Small Radius Equal Double Bowl, 18G: 34-3/16"L x 17-3/16"W x 9"D (outside)	\$637
XSR201609	Undermount Extra Small Radius, 16G: 21-7/8" x 17-3/16" x 8-11/16"	\$564
XSR251610	Undermount Extra Small Radius, 16G: 26-1/2" x 18" x 10"	\$625
XSR281610	Undermount Extra Small Radius, 16G: 29-1/2" x 18" x 10"	\$662
XSR311610	Undermount Extra Small Radius, 16G: 32-1/2" x 18" x 10"	\$723
XSR311816L	Undermount Extra Small Radius, 16G: 33" x 20-1/2" x 10-1/2"	\$712
XSR311816R	Undermount Extra Small Radius, 16G: 33" x 20-1/2" x 10-1/2"	\$712
XSR321616	Undermount Extra Small Radius, 16G: 34-3/16" x 17-3/16" x 9"	\$712
XSR421610	Undermount Extra Small Radius, 16G: 44"L x 18-1/2"W x 10"D	\$939
XSR421616	Undermount Extra Small Radius Equal Double Bowl, 16G: 44"L x 18-1/2"W x 10"D	\$1,036

*El envío individual de accesorios tiene un costo de flete aparte.